

Planika Fire Line Automatic 3 XL

Planika

ITEM NUMBER: BIO-60-018

DESCRIPTION:

FLA 3 XL made by Planika. H: 41,2 x D: 28 cm. (customized is possible). Safety sensors, Child Lock

TECHNICAL DATA:

Type: Bioethanol Fireplace

Size: H: 41,2 x D: 28 cm W: 79 | 99 | 119 | 149 | 199 | 249 | Customization is possible

Materials: Brushed steel

Weight: 79: 29kg | 99: 36kg | 119: 43,2kg | 149: 51,6kg | 199: 72kg | 249: 90,5kg

Capacity: 79: 13,4L | 99: 17,2L | 119: 21L | 149: 26,8L | 199: 36,3L | 249: 45,9L

Heat Effect: 79: 4,4 kW | 99: 7 kW | 119: 9,4 kW | 149: 13 kW | 199: 18 kW | 249: 22,5 kW

Colour: Black | Customization Possible

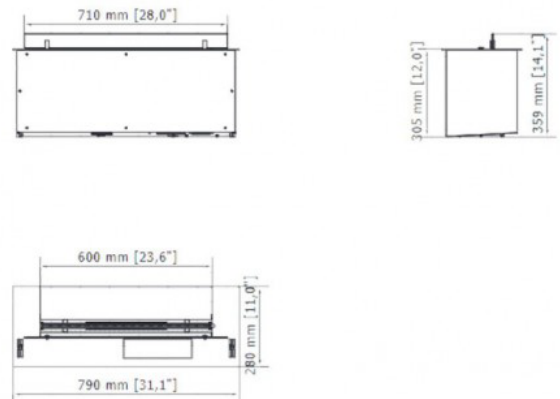
Burner Type: Automatic burner: Adjustable flame - 6 levels

Fuel/Propellant: 96,6 % Fanola Premium

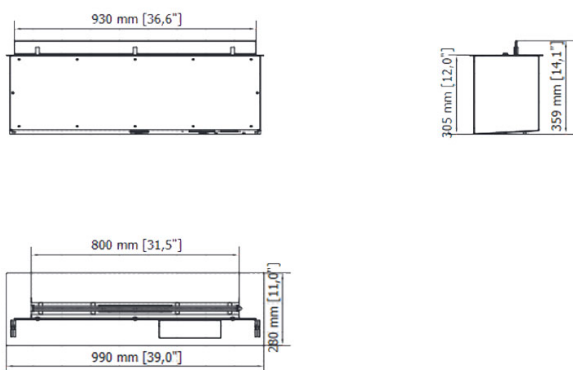
Consumption: 79: 29h | 99: 31h | 119: 35h | 149: 35h | 199: 36h | 249: 36h



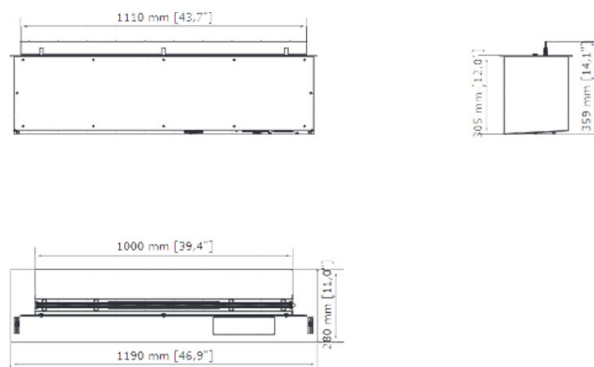
79 cm:



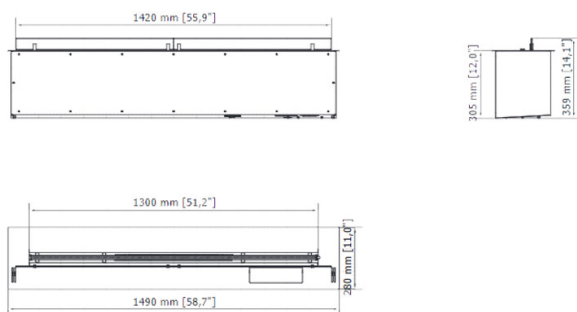
99 cm:



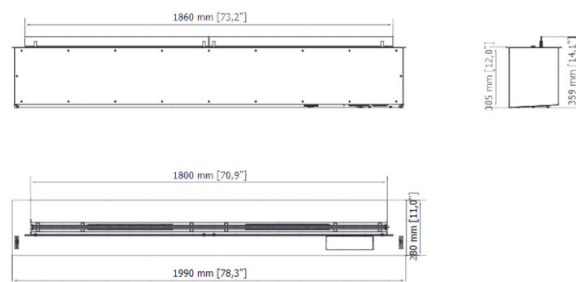
119 cm:



149 cm:



199 cm:



249 cm:

