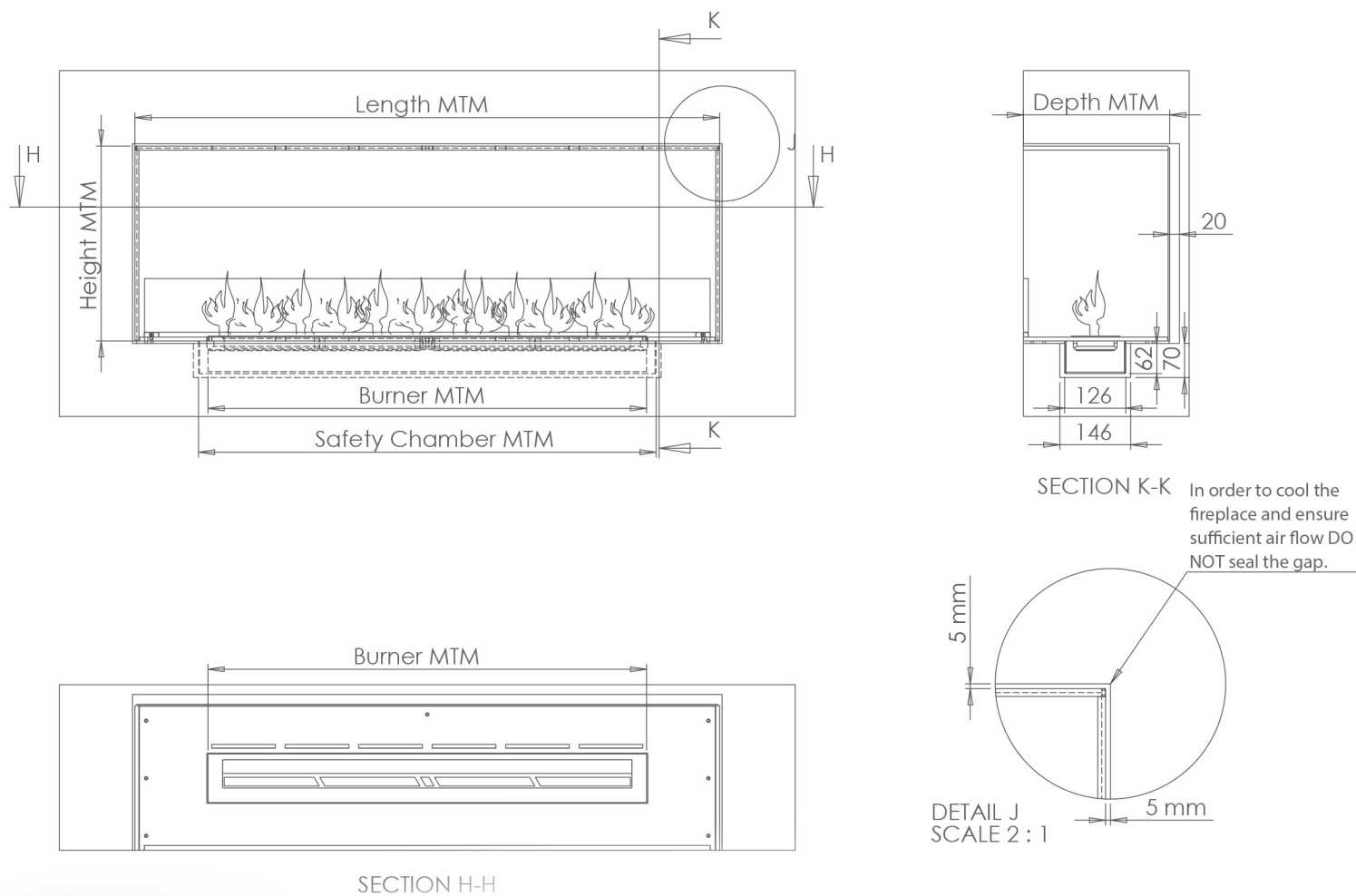


The decoflame Montreal™ fire is part of the made to measure range of decoflame® bioethanol fires. Its simple layout makes it versatile and adaptable for a large variety of fireplace applications.

Montreal™ fireplaces can be made in various shapes, ex: tunnel or open to a corner. All these variations can be seen on page 5 of this document, where you can also download 2D autocad drawing of the fireplace like the one shown below.



2D Cad Montreal open to front

2D Cad open to front and right side

2D Cad open to front and back

2D Cad open to front and both sides

2D Cad open to front, back and side

FEATURES

- DecoFlame Brushed Stainless Steel Burner
- 8mm aluminium casing and baseplate
- Powder-coated black fine structure
- Adjustable flame level
- Safety Chamber
- No chimney required
- Fuel Funnel
- Lighter

OPTIONAL

- Made to measure
- Glass screens
- Brushed Stainless Steel finish
- RAL colors

TECHNICAL INFORMATION

The example illustrated below is a Montreal open to front LxHxD
1200x400x300mm and Burner size: 900mm.

Capacity: 4,6 L

Fuel consumption: 0,5 L/h - 1L/h

Burning time: 5h - 10h

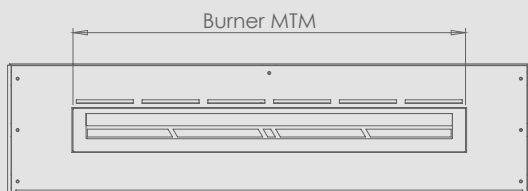
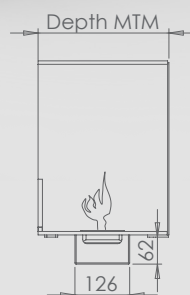
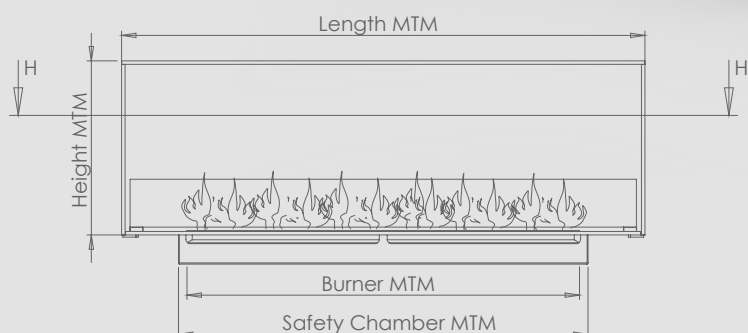
Heat output: 2,3 kW - 4,5 kW

Net weight: 60kg

Minimum room size: 90m³

Fuel: 96% - 97% Bio-Ethanol.

Finish: Powder-coated aluminum or brushed stainless steel and optional hardened, optic-white glass

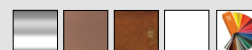


SECTION H-H

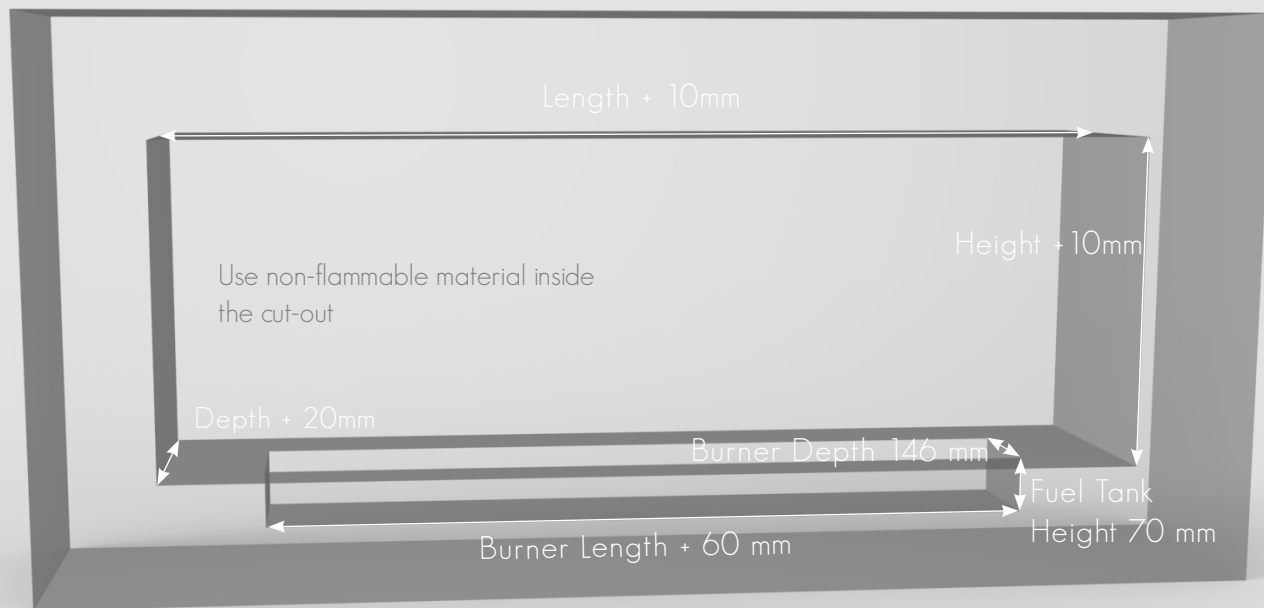
STANDARD FINISHES



OPTIONAL



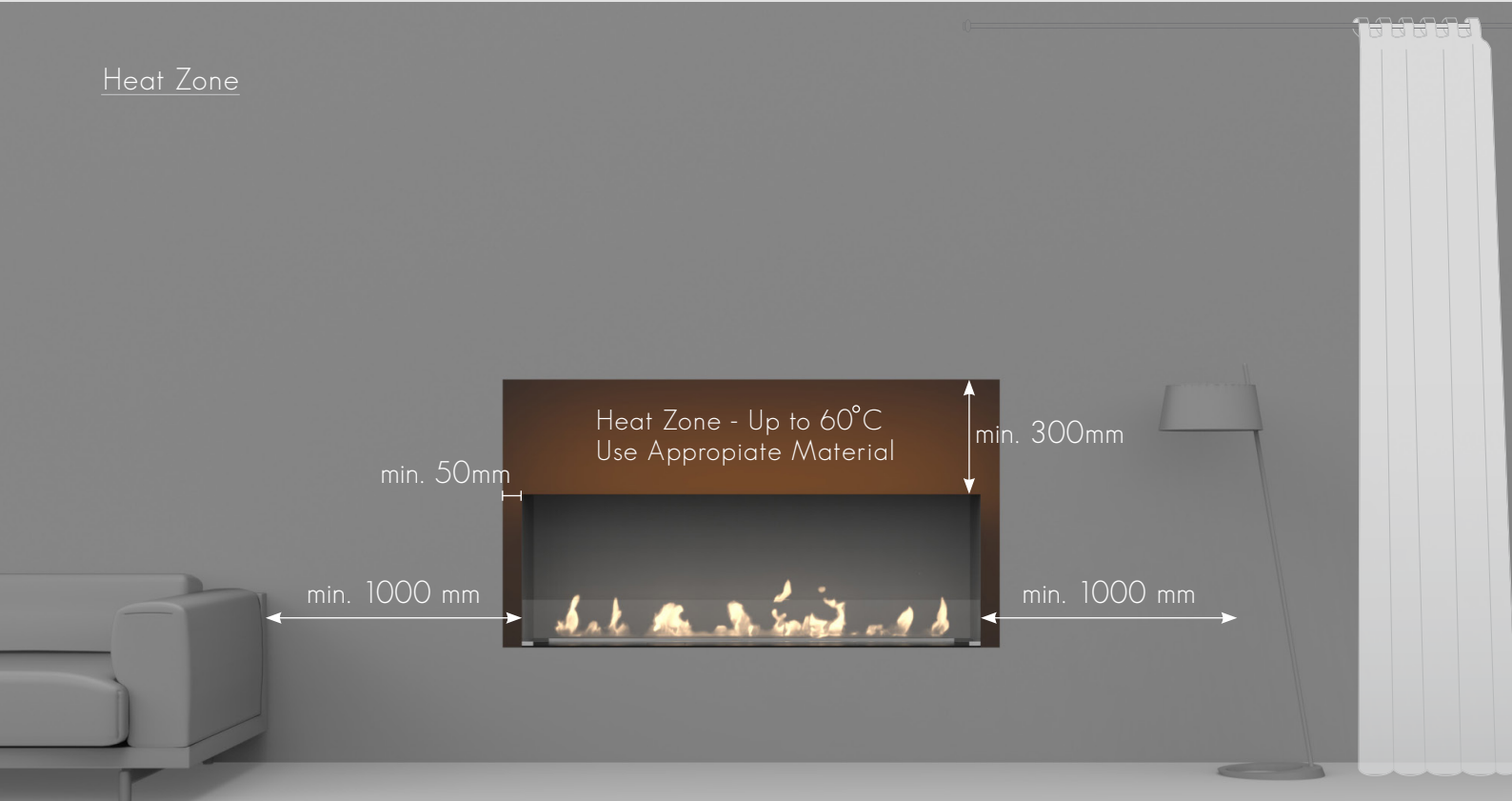
Cut-out dimensions



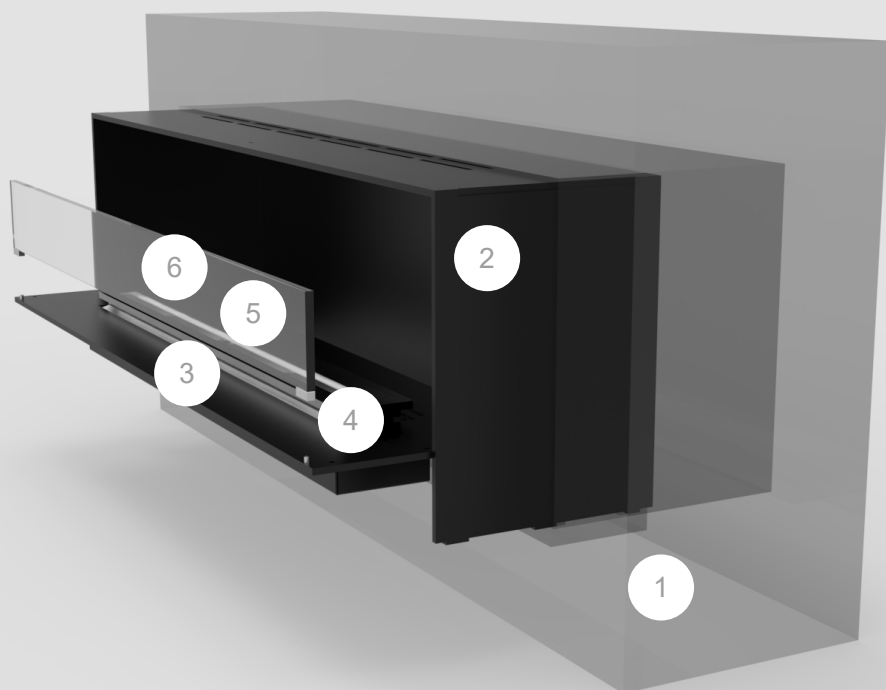
WALL CUT-OUT

Example: Montreal open to front LxHxD 1200x400x300mm and Burner size: 900mm
 The wall cut out will be LxHxD 1210x410x320mm and the recess for the Burner will be LxDxH 960x146x70mm. It is not centered. The distance from the front of the wall to the recess is specified in the drawing for the fireplace.

Heat Zone



Montreal Installation



Step 1: Make sure that the dimensions of the cut-out correspond to the measurements indicated in the technical drawing received with your fireplace. Also be sure there is no draft inside the wall.

Step 2: Recess the fireplace casing into the wall cut-out according to the indications in the User's manual.

Step 3: Carefully lower the burner with baseplate in place. Attach with screws

Step 4: If the case, place the glass screen on the top plate by fitting the pin holders into the holes.

Step 5: Use the funnel to fill up the burner with bioethanol.

Step 6: Start the fireplace with the lighter.

DecoFlame strongly recommends installing one or more glass shields in order to protect the flame from draught, while keeping it vivid. Please see below the situations where the glass is optional and where it is mandatory.

Mandatory glass

Open to front



2D Cad Montreal open to front

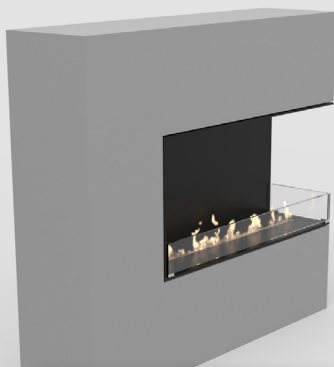
Optional glass

Open to front and back



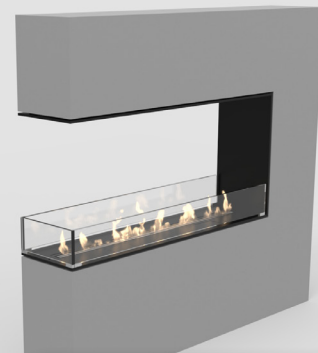
2D Cad open to front and back

Open to front and side



2D Cad open to front and right side

Open to front, back and side



2D Cad open to front, back and side

Open to front and both sides



2D Cad open to front and both sides

The wall cut-out for the different types of Montreal can be found in the drawings for the your specific fireplace or in the autocad drawing available for download on this page.

It is imperative to follow the indications in the User's manual concerning the installation of decorative or electronic items above the fireplace.





Take a video tour in our showroom

Take a virtual tour in our showroom

