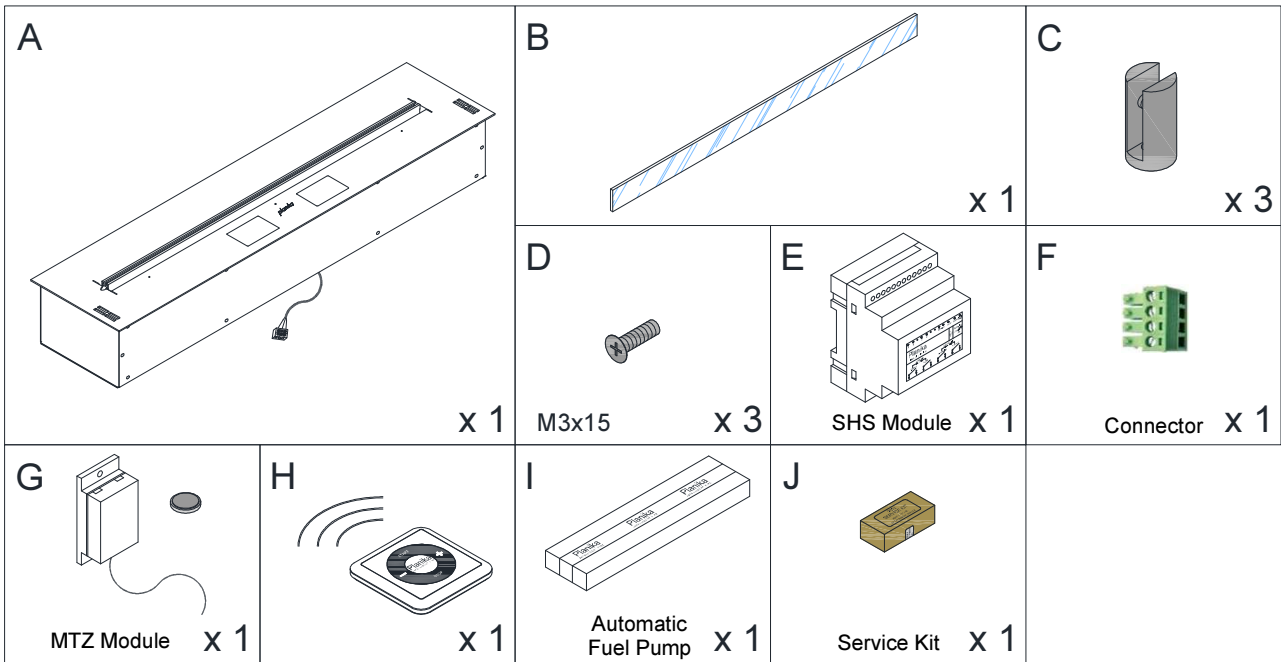


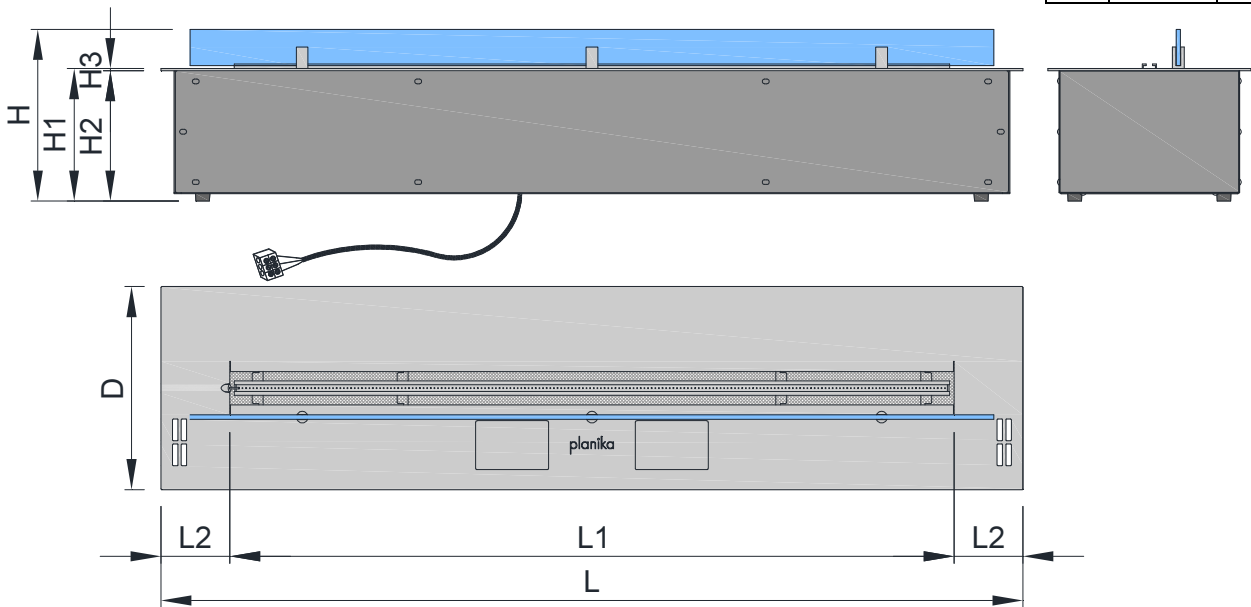
INSTALLATION MANUAL

FLA 3#4 L=1190 V-S



Fixed unit's weight
= **43,0 kg / 94,8 lb**

	[mm]	["]
H	237	9 ⁵ / ₁₆
H1	183	7 ³ / ₁₆
H2	180	7 ¹ / ₁₆
H3	3	¹ / ₈
L	1190	46 ⁷ / ₈
L1	1000	39 ³ / ₈
L2	95	3 ³ / ₄
D	280	11



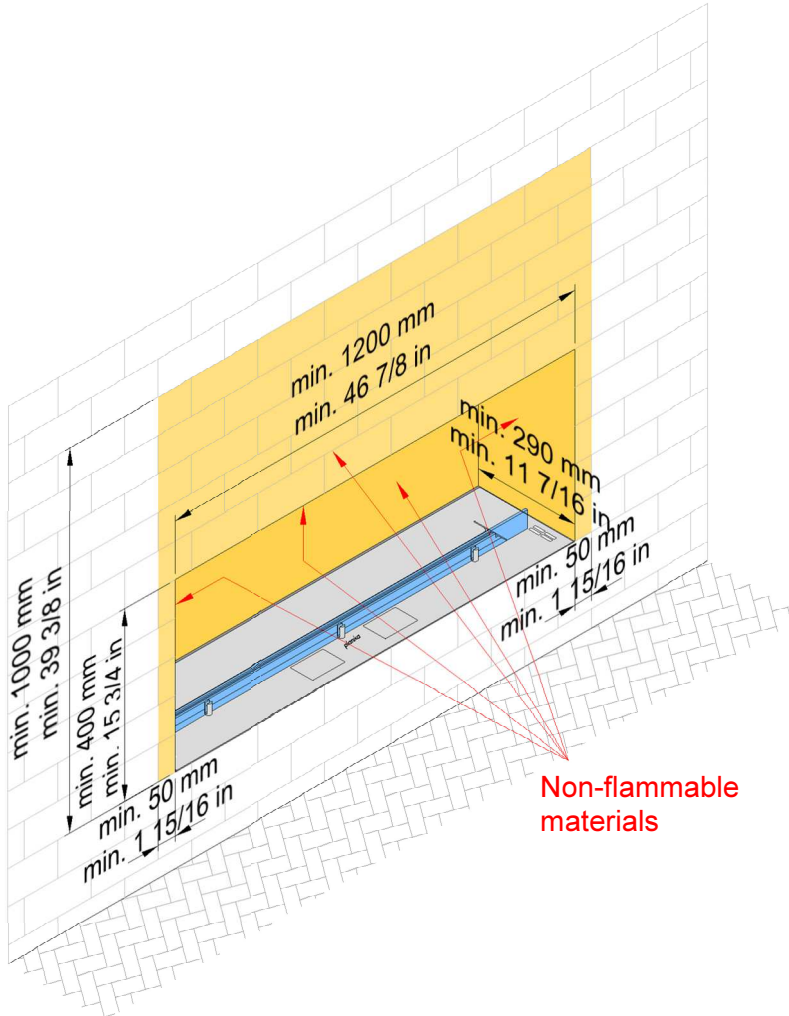


- Do not install the device in areas with a capacity of less than 178 m³ / 6286 ft³ (68 m² / 732 ft² with a height of 2.6 m / 8.53 ft).
- Do not install the device in areas of large drafts of air, near fans, vents, etc.
- Do not place in areas where there might be a potentially explosive atmosphere of paint vapours, industrial dusts, etc.
- No flammable items should be placed in direct contact and within a radius of 1 m / 3.28 ft around the device. Do not place near curtains, net curtains, etc.
- Do not expose the device to weather conditions. The product is for internal use only.
- Do not place the device in close proximity to sources of humidity.
- It is obligatory to have a carbon-dioxide (CO₂) or dry chemical extinguisher placed nearby the device.
- Installation of the device must provide an easy removal of the device for service.
- The room in which the device will be installed must have efficient ventilation to ensure air exchange in the room at least once per hour.
- Do not start the device before a complete and proper installation .
- Do not fill the fuel container before placing the product into its final position.
- In case of mounting more than one unit in the room, the minimal cubature is the sum of cubature required for each unit.
- Do not cover ventilation gaps and cooling fans.
- The recess, into which the fireplace will be mounted, has to have a load capacity of 64,5 kg (142,20 lb).
- It is forbidden to put any products on the burner.
- Device must be kept out of reach of children, animals and unauthorized persons.
- Do not install the device on a mobile object (eg. caravan, yacht).

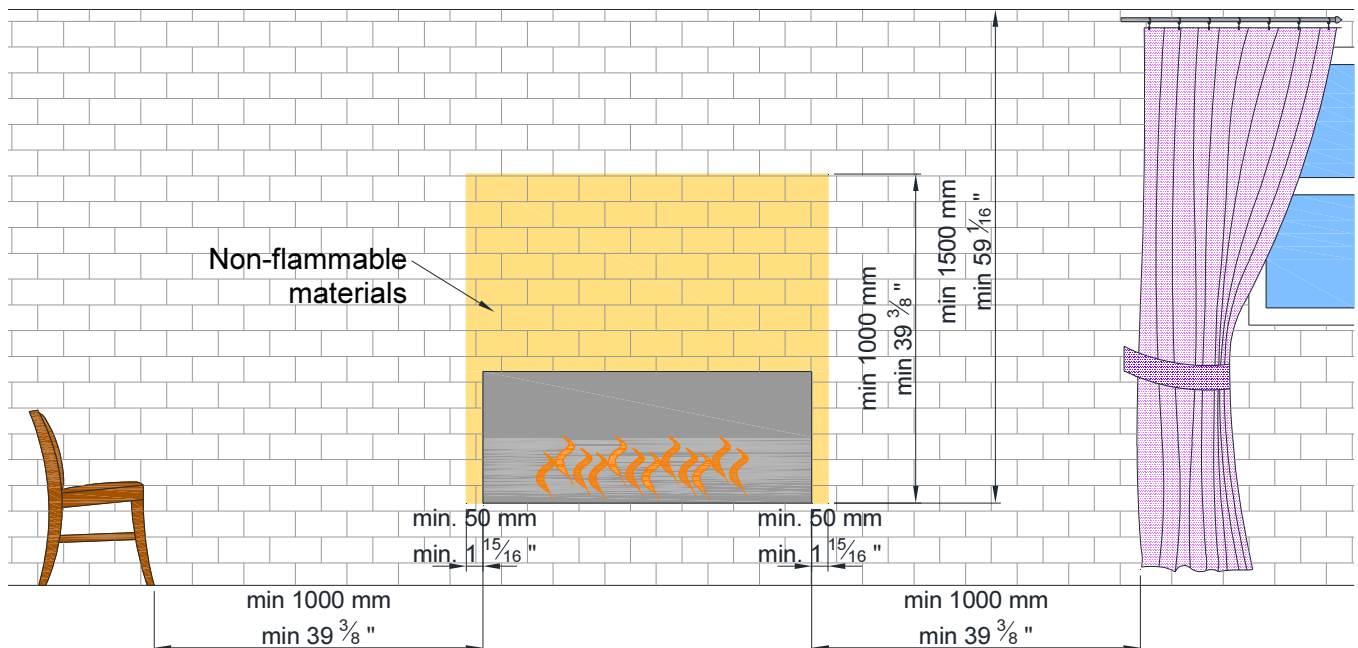
INSTALLATION

WARNING! If you have purchased the original steel casing for the device, please follow the instruction manual provided for the casing.

- The elements of construction placed above the furnace must be made of non-flammable materials.
- Recess in which the fireplace will be placed must be sealed.
- If there is going to be a cover over the furnace, it must be made of non-flammable materials and the minimum distance from the furnace must be kept at no less than 40 cm / 15 ¾ in.
- It is not allowed to use a device before placing it into a prepared wall recess or other housing/cavity.



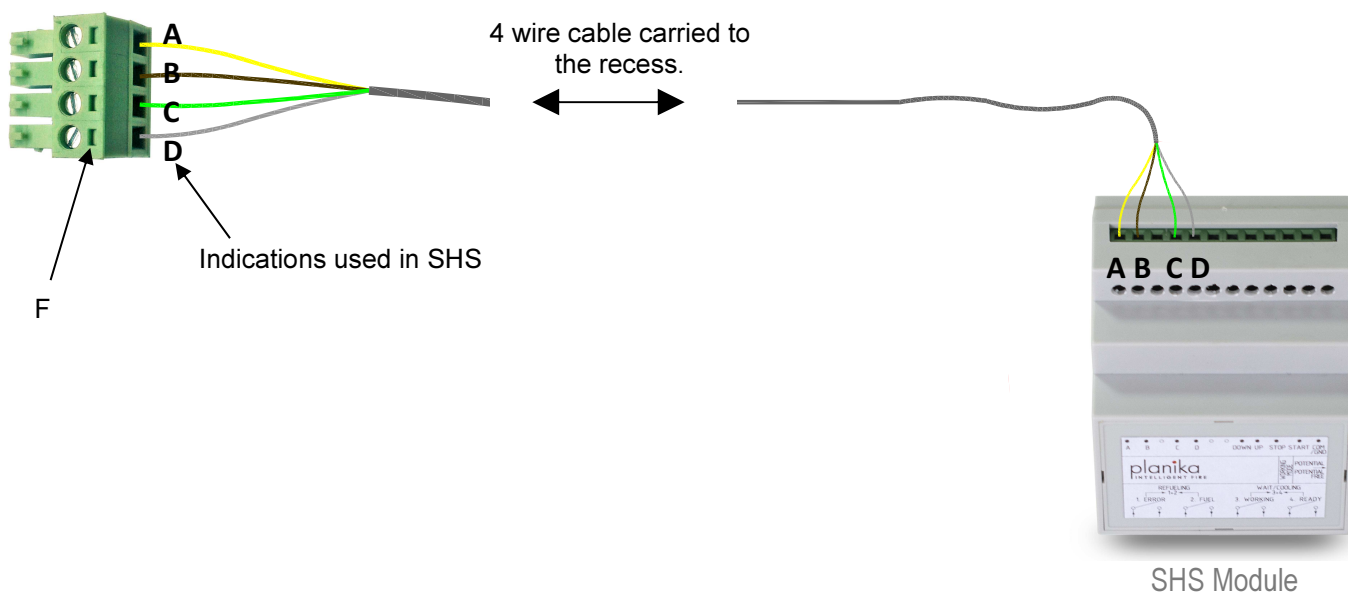
Due to fire safety, it is forbidden to place any flammable materials within a 1 m (40 inches) radius from the fireplace. Also, Planika does not recommend to place any heat sensitive materials or devices within this radius as it can significantly limit the materials properties and longevity. Planika will not take any responsibility for the damage of any materials or devices being installed above the fireplace.



How to self-make the housing for the device.

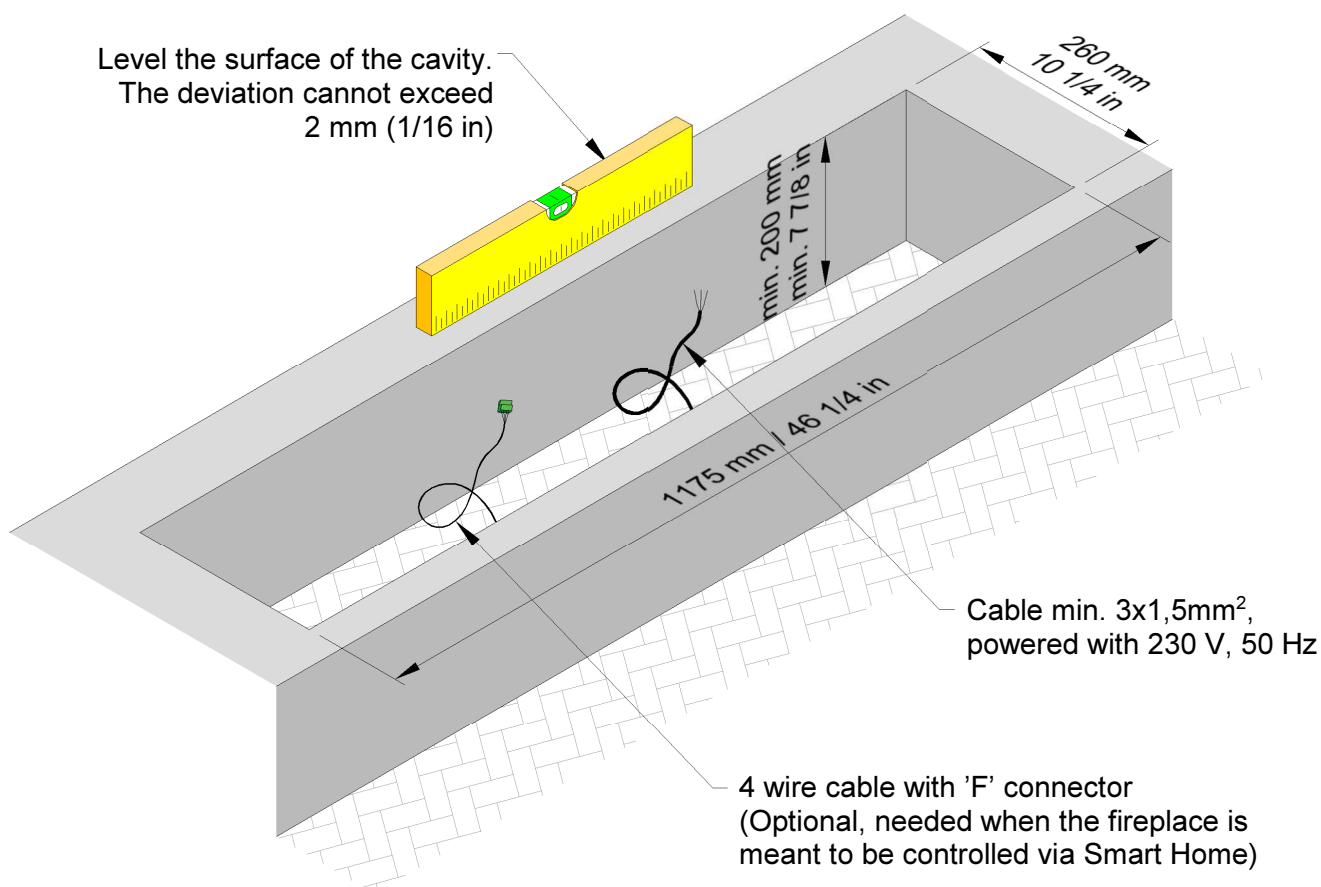
Supply the housing with a loose cable min. $3 \times 1,5 \text{ mm}^2$, with power supply 230 V, 50 Hz, to connect the device to the mains.


If the fireplace will be connected to the Smart Home System, then 4 wire cable should be connected to 'F' connector. The connector 'F' will be then plugged into the socket placed at bottom of the fireplace.

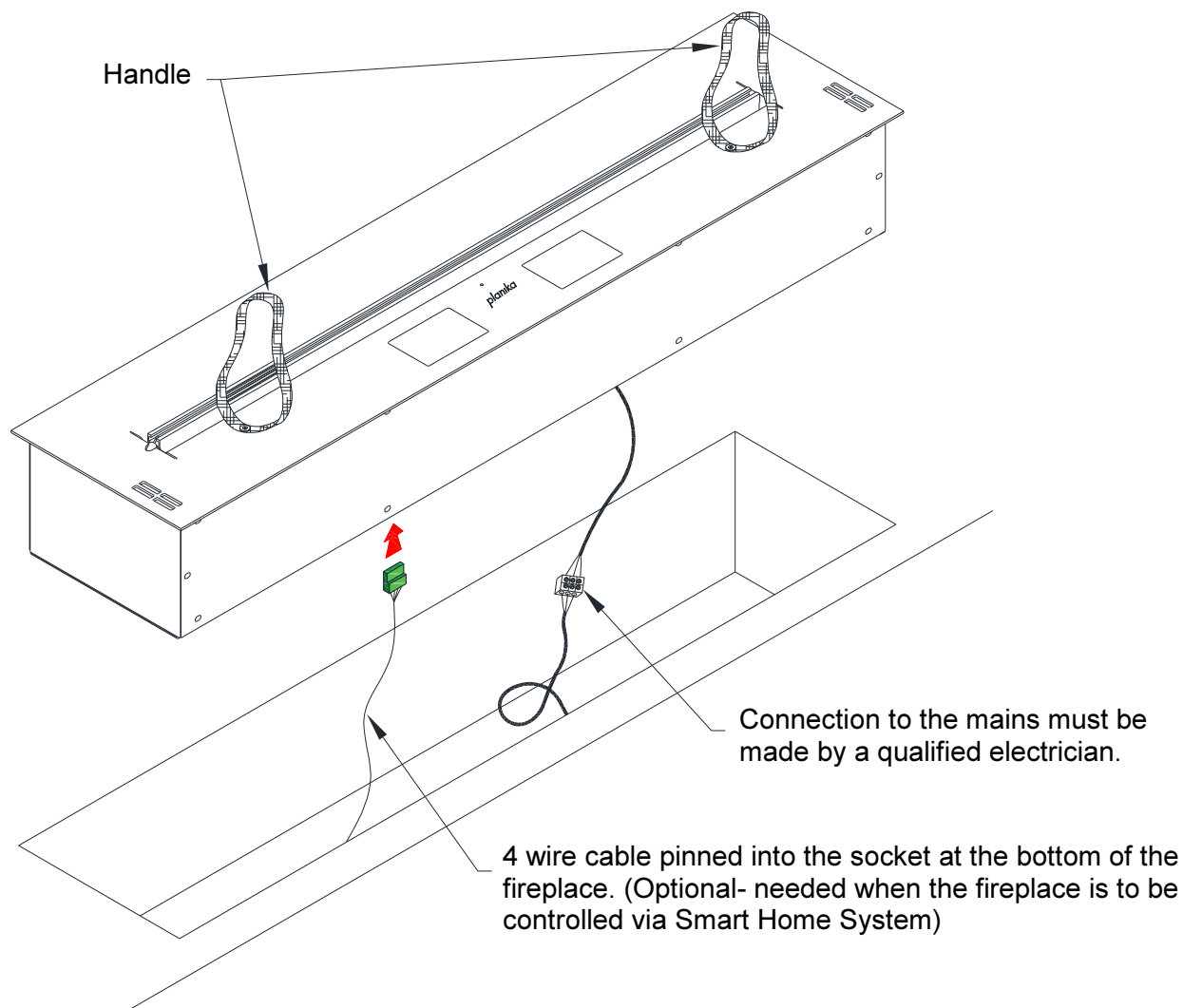


To make the cavity for the insert please follow the instruction below.

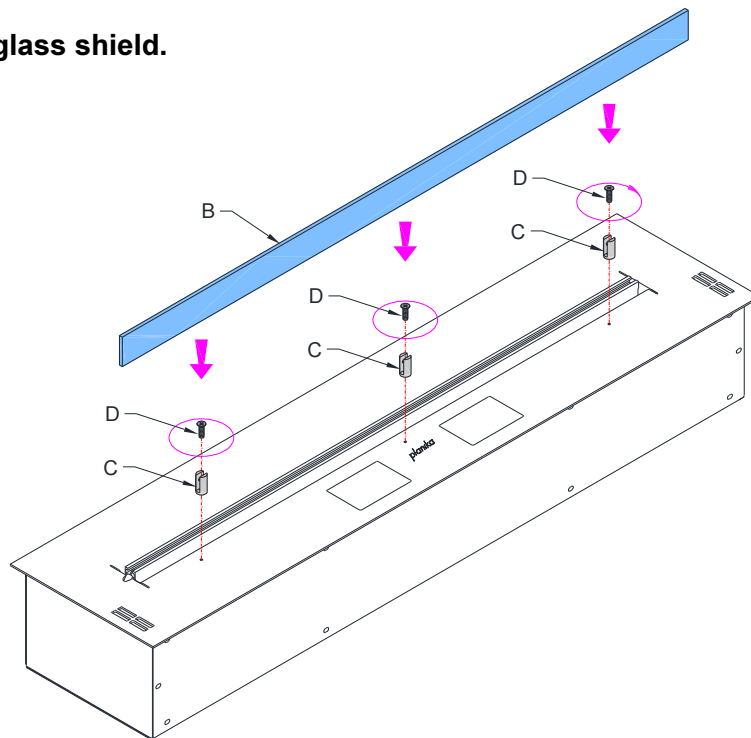
Before making the cavity for the fireplace make sure that the surface on which you are going to set the furnace inset is properly levelled. There will be no possibility to correct it later. The deviation in level between the ends of the furnace must not exceed 2 mm. Improper levelling may cause malfunction of the device and - in extreme cases - cause leaks of the Fanola[®] liquid and the danger of fire.



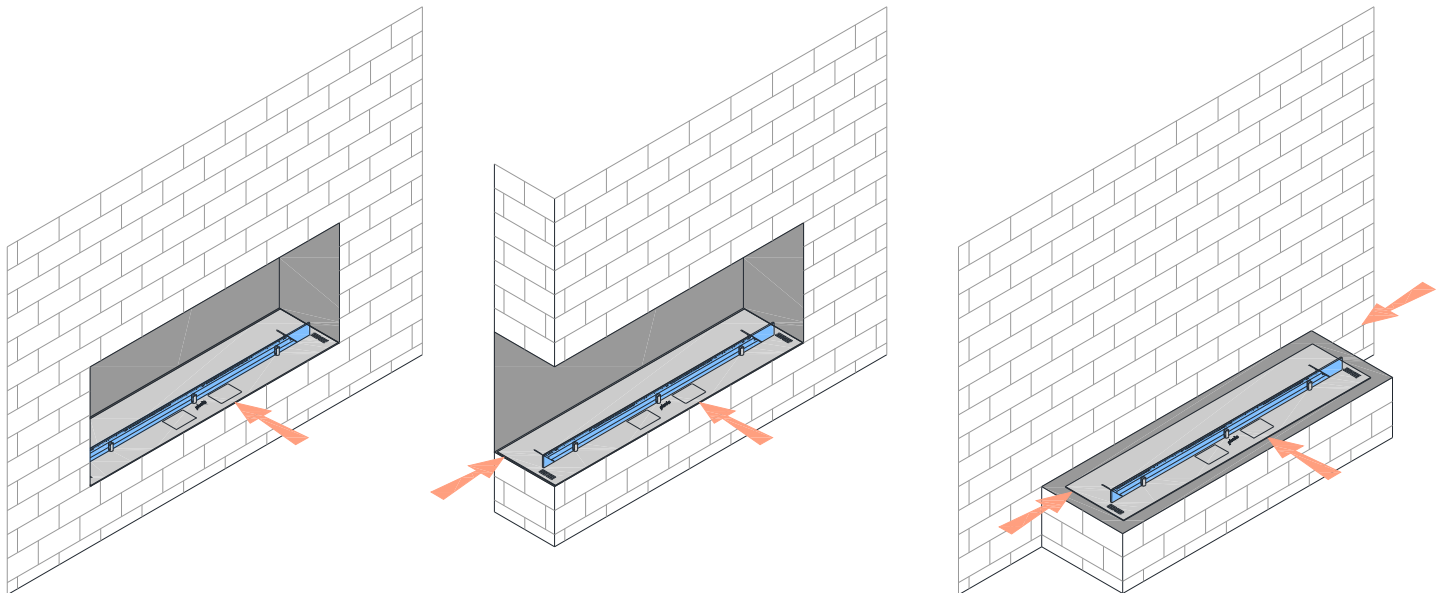
Then connect the supplied cable with a connection block at the end of the cord. Note that connection to the mains must be made by a qualified electrician. Highlighted  button will indicate proper connection of the device to the power supply. Previously connected burner should be placed in the cavity by the use of attached handles. Please make sure to remove the handles before starting the device and keep them for the lifetime of the product. If necessary, remove the device using these handles.



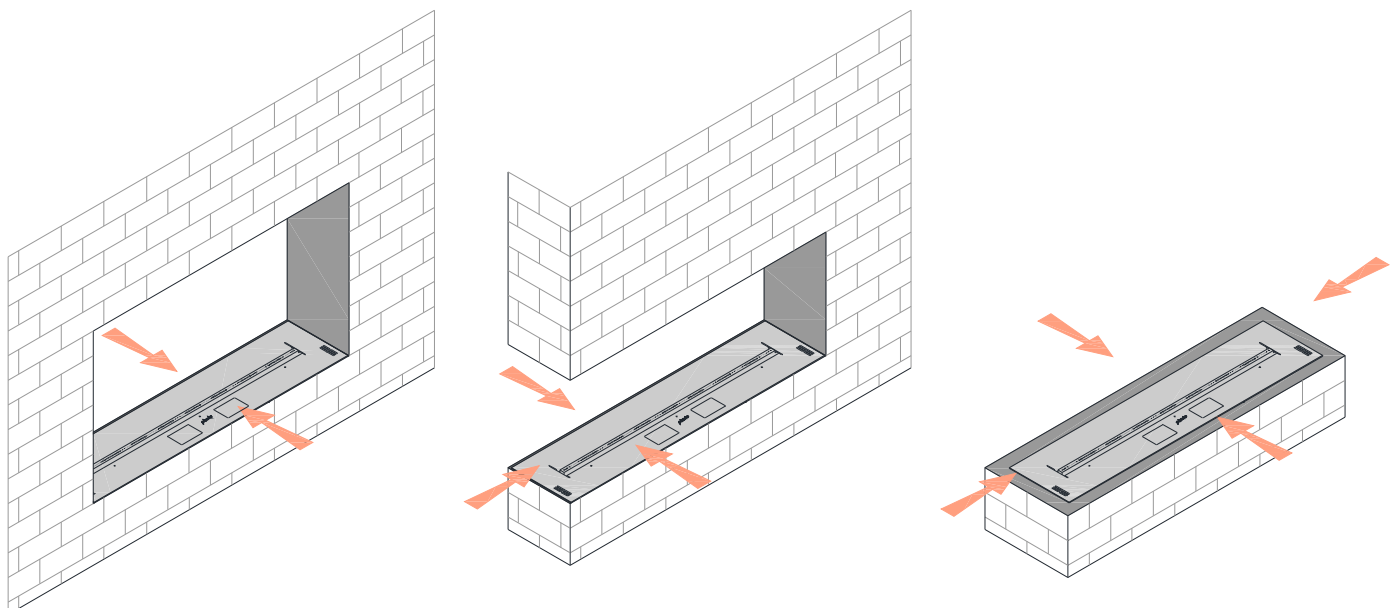
Installing the furnace glass shield.



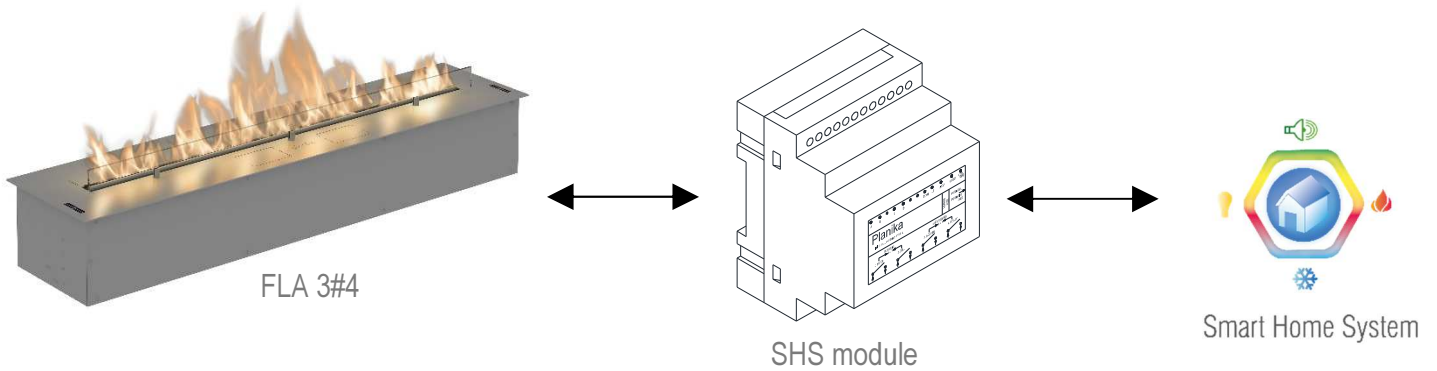
Situations where the installation of glass shield protecting the furnace is necessary.



Situations in which the montage of the glass slat covering the fireplace is forbidden.



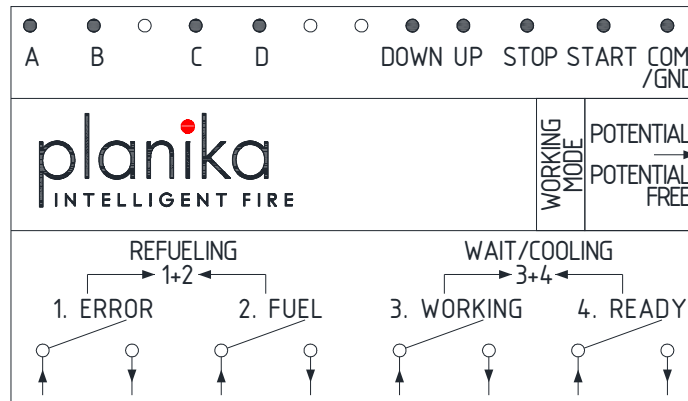
'E' module installation - Smart Home System (further referred to SHS)



SHS module enables following control options: switching the device on and off and adjusting flame size.

Smart Home System's control panel will show current mode of the fireplace: READY, WORKING, NO FUEL, ERROR, REFUELING, WAITING/COOLING.

Sticker placed on SHS module



Connectors description:

Control signals:

- A, B, C, D** - Wire inputs (to connect fireplace with SHS module)
- DOWN** - Input lowering flame height, signal in form of an 12-24V DC impulse lasting from 100ms to 1s.
- UP** - Input increasing flame height, signal in form of an 12-12V DC impulse lasting from 100ms to 1s.
- STOP** - Input turning off the device, signal in form of an 12-24V DC impulse lasting from 100ms to 1s.
- START** - Input turning on the device, signal in form of an 12-24V DC impulse lasting from 100ms to 1s.
- COM/GND** - COM/GND

Feedback about the state of the device:

- 1. ERROR** - Indicates malfunction (exact description should be checked on fireplace's display panel)
- 2. FUEL** - Indicates no fuel
- 1+2 REFUELING** - Indicates refueling process
- 3. WORKING** - Indicates fireplace operation
- 4. READY** - Indicates that the fireplace is ready to be started
- 3+4 WAIT/COOLING** - Indicates waiting mode (turning on, cooling the device)

POTENTIAL } Switcher – used in order to change the work mode
POTENTIAL FREE }

The device works in two modes:

- **POTENTIAL** – enables to control the device with voltage signal in scale of 12 to 24V DC (Higher voltage requires use of voltage limiter).
- **POTENTIAL FREE** – enables to control the device without voltage signals.

To select the work mode set the switch on the right side of SHS module in designated position.

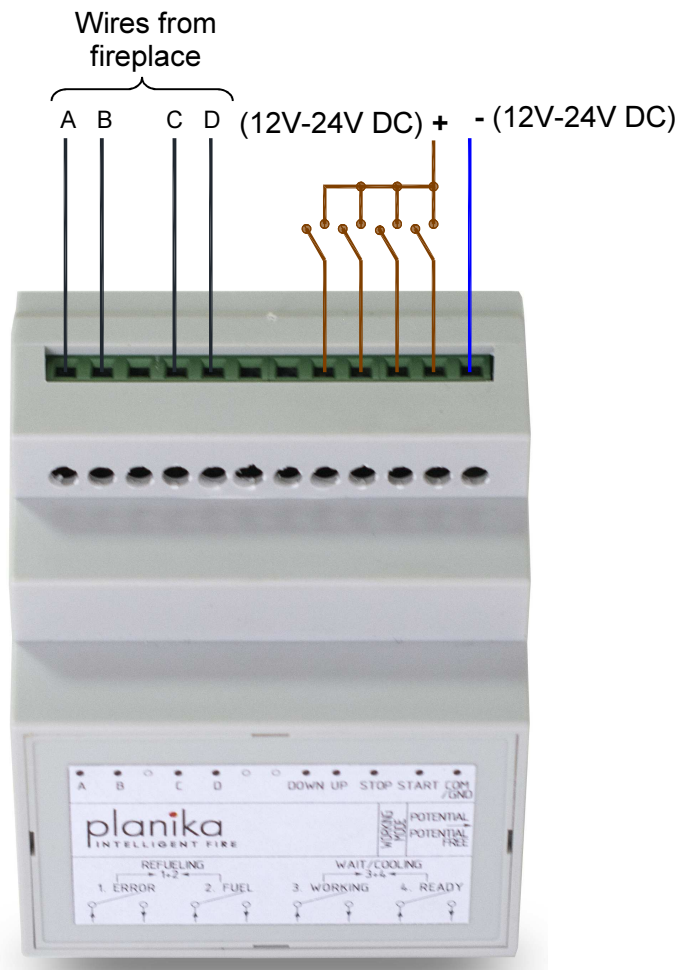


Work mode selector
POTENTIAL / POTENTIAL FREE

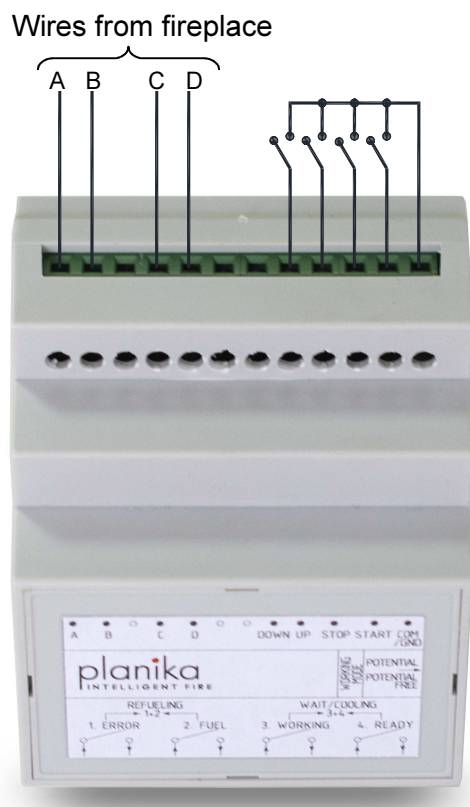
Connection schemes:

I. Control signals connection scheme

„POTENCIAL” mode



„POTENCIAL FREE” mode



- II. The outline of signal connections that relay information about the fireplace status to the Smart Home System module:



INPUT – voltage signal input, from 12V to 24V DC
 OUTPUT – voltage signal output, from 12V to 24V DC

Fireplace signals chart (occur in accordance with its status):

	ERROR	FUEL	WORKING	READY
STANDBY	0	0	0	0
ERROR	1	0	0	0
FUEL	0	1	0	0
WORKING	0	0	1	0
READY	0	0	0	1
REFUELING	1	1	0	0
WAIT/COOLING	0	0	1	1

- 1** - output signal
0 - no output signal

How it works

When SHS module is connected properly, control over the fireplace is made by sending short impulses to the connectors *START*, *STOP*, *UP*, *DOWN* (lasting from 100 ms to 1 s).

A Single impulse send towards *START* input will turn on the device. (The device must be on *READY*).

A single impulse send towards *STOP* input will switch the fireplace to stand-by mode.

A single impulse send towards *UP* input will increase the flame height by one stage.

A single impulse send towards *DOWN* input will decrease the flame height by one stage.

„G” module installation

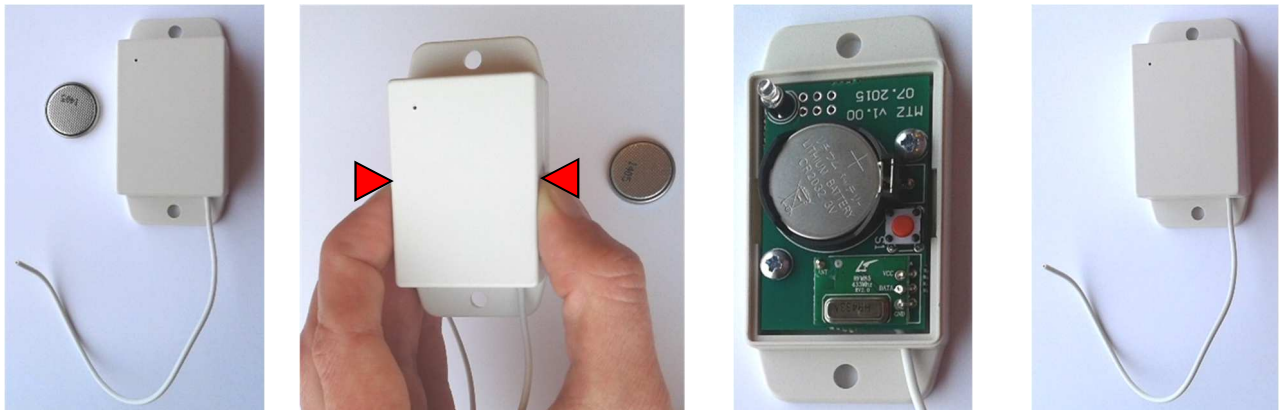
External temperature module 'G', further referred to as 'MTZ', works in two modes:

- Temperature detector mode – MTZ module should be installed at the bottom edge of heat sensitive device placed above the fireplace e.g. TV (turns off the fireplace when 60°C / 140°F is reached)
- Room temperature mode – MTZ module should be placed at least 1 meter from the fireplace (recommended installation height of module MTZ is 1.8m from the floor). This mode enables to adjust the temperature from 18 to 26°C (64.4°F to 78.8°F).

Warning:



- MTZ module must be installed in the same room as the fireplace.
- Do not install the MTZ module below the level of the grate of the fireplace.
- The maximum range of the MTZ module is 10m in a straight line from the fireplace grate.
- Do not place any objects between the fireplace and the MTZ module.
- Each reduction, wrapping of the antenna or hiding under the wall can significantly reduce the range of MTZ.



After placing MTZ module, one needs to configure it in accordance with user's manual.

WARNING!

- Make sure that the product has been correctly installed and read the attached instruction manual.
- You are not allowed to fill the fuel tank and start the device before having read the instruction manual.
- If in the future it is necessary to take the device out of the housing, wait until the fuel has burned-up completely and the display shows **NO FUEL**, disconnect the power supply and take the device out of the housing.
- Keep this instruction manual throughout the lifetime of the device.