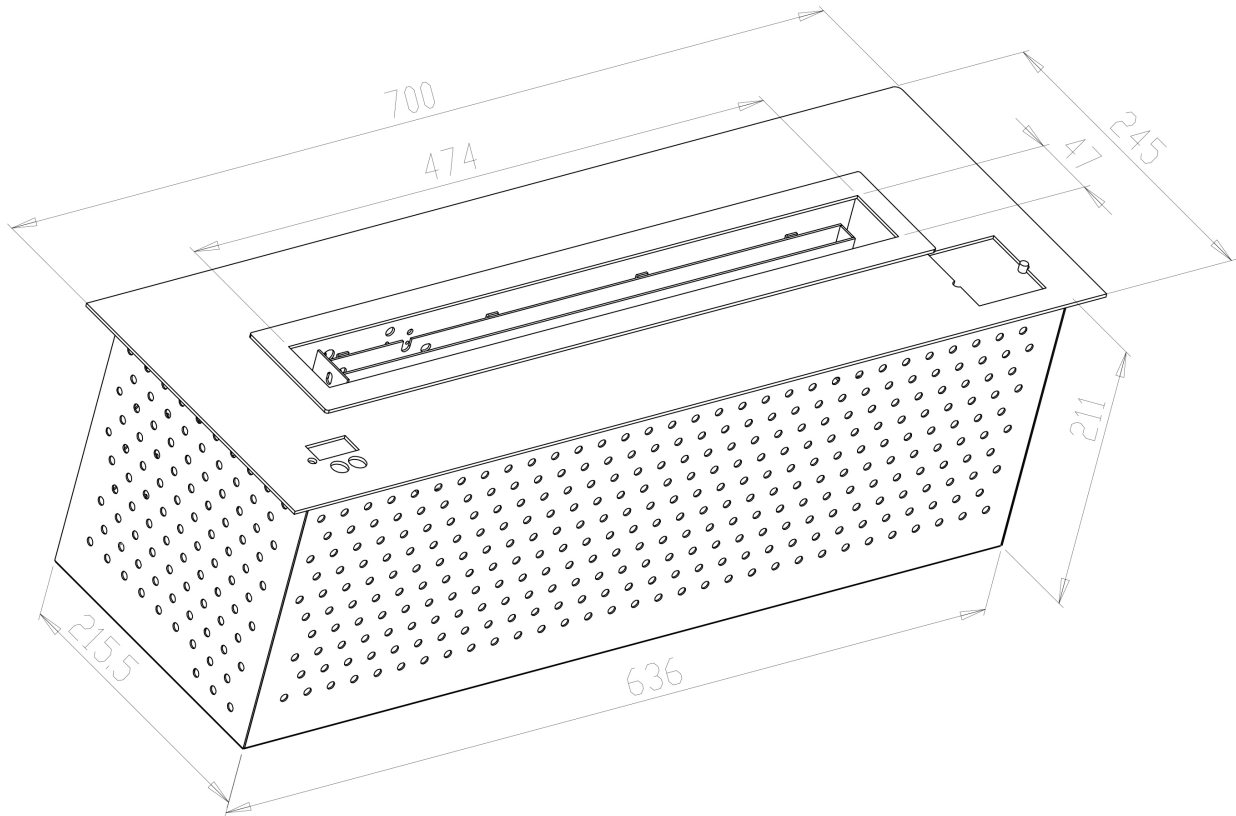




BIO396



TECHNICAL SPECIFICATIONS

Type	Automatic bioethanol burner
Size	Height: 211 mm / Width: 700 mm / Depth: 245 mm
Materials	Steel
Weight	19 kg.
Burner	Automatic bioethanol burner (Burner width: 700 mm / Flame width: 474 mm)
Capacity	9 Liter
Usage	Approx 0.6 L/h - Up to 15 hours per filling
Fuel	Bioethanol (Recommended 96,6% alcohol)
Colour	Black and steel
Heat Output	3,75 kW
Electricity	Yes