

INSTALLATION MANUAL

VALENTINO 1000 F, VALENTINO 1000 LF/FR,

VALENTINO 1000 LFR

G20/G25 (Natural Gas) G30/G31 (Propane-Butane/Propane)



**Produced by:
Planika Sp. z o.o.
Bydgoska 38
86-061 Brzoza
Poland**

IT IS OBLIGATORY TO READ AND STORE THIS INSTALLATION

MANUAL.

TABLE OF CONTENTS

1. INTRODUCTION	4
2. GENERAL INFORMATION	5
3. SAFETY	5
3.1. Safety instructions for VALENTINO's fireplace instalation	7
3.2. Safety instructions for the use of fireplace powered by gas cylinder.....	8
3.3. Safery sensors	8
3.4. Seismic sensors	9
4. UNPACKING.....	11
4.1 Table of the Elements:	11
5. INSTALLATION	11
5.1. Type of gas	11
5.2. Conversion to another type of gas.....	11
5.3. Gas connection.....	12
5.4. Electrical connection.....	13
5.4.1. Connecting additional lighting or other electric receivers.....	13
5.5. Device positioning.....	14
5.6. Fireplace housing execution	15
5.6.1. Installation of the fireplace housing with a front glass F.....	17
5.6.2. Installation of the fireplace housing with two-sided glazing LF / FR.	17
5.6.3. LFR Installation of the fireplace housing with a tripartite glazing LFR.....	18
5.7. Fireplace housing with platform	18
5.7.1. Fireplace housing in combination with bottom decorative frame	18
5.7.2. Fireplace housing without decorative frame.....	20
5.7.3. Adjustment of the upper decorative frame.....	22
5.8. Placing the inspection hatch	23
5.9. The exhaust and combustion air supply system.....	25
5.9.1. General Information.....	25
5.9.2. Recommendations for proper installation of the concentric flue system.....	26
5.9.3. Construction of the concentric flue system.....	27
5.9.4. Distances of the exhaust outlet from the structural elements of the building	35
5.10. Ventilation and air circulation inside the fireplace housing	38
5.11. Placing decorative elements	39
5.11.1. Arranging decorative logs	41

5.11.2.	Arranging Decorative Stones	44
5.12.	Glasses.....	45
5.12.1.	Assembly of the glass pane.....	45
5.12.2.	Dissassembly of the glass	48
6.	CONTROL.....	50
6.1.	Remote controls.....	51
6.1.1.	Remote control for the user.	51
6.1.2.	Orange remote control for the installer	51
6.2.	Alternative ways of control.....	51
6.2.1.	Wired connection.....	52
6.2.2.	The wireless connection through the protocol "Modbus"	53
7.	FINAL INSPECTION.....	54
7.1.	Gas tightness.....	54
7.2.	Gas Pressure.....	54
7.3.	Ignition of the main burner.....	55
7.3.1.	First ignition of the device after installation or after modifications.....	55
7.3.2.	The Hearth	56
7.4.	Flame.....	56
7.5.	Checklist	57
8.	MAINTENANCE.....	58
8.1.	Spare parts	58
9.	DELIVERY	58
10.	WARRANTY.....	59
11.	TROUBLESHOOTING	60
12.	TECHNICAL DRAWINGS	62
13.	TECHNICAL SPECIFICATIONS	64
14.	CONTACT DETAILS OF THE MANUFACTURER	64

1. INTRODUCTION

The Planika company designs and manufactures gas heating devices that meet the highest standards of quality, efficiency and safety. The device has a CE marking, which means that it meets the essential requirements of the Directive of the European Parliament and European Council 2009/142 / EC of 30 November 2009 and Regulation (EU) 2016/426 relating to Devices burning gas and compliant is with Standard EN 613 on convection space gas heaters, and EN 778: 2010.

Each gas fireplace produced by Planika is subjected to factory quality control, during which it undergoes rigorous safety tests. Materials of the highest quality used for its production guarantee the user a smooth and reliable functioning of the device.

The device is delivered together with the instruction manual and assembly instructions. The assembly instructions provide the necessary information to install the device in such a way that it works properly and safely. In addition, you can find technical data about the device, information on its maintenance and possible failures that may occur, along with their possible causes and how to resolve them.

WARNING! The installer must be a certified and qualified specialist in gas heating and electricity and should have all the qualifications required by local law.

CE Declaration of conformity

We hereby declare that both the design and construction of a gas heating device manufactured by Planika Sp. z o.o. (with registered office at Bydgoska 38 86-061 Brzoza Polska) meet the essential requirements contained in the Directive and the Ordinance on gas appliances.

Product: Convection space gas heater with closed combustion chamber, equipped with concentric air combustion pipe system with natural gravity, type C11 (without a fan) and the type of C31 (without a fan) and C91 (without a fan).

Type: MONROE 900, MONROE 1150, VALENTINO 1000, VALENTINO 1300 in versions: LF, F, FR, LFR

Directives: 2009/142 / EC; 2014/35 / EU; 2014/30 / EU

Regulation: 2016/426 / EU

Standards: EN-613; EN-613/A1; PN-EN 778:2010; PN-EN 437+A1:2012; PN-EN 60335-2-102

The notified body: the Oil and Gas Institute - National Research Institute (Lubicz 25 A street, 31-503 Kraków, Unit number: 1450) carried out and on 27/04/2017 issued the certificate no. GAR1450CS0005 for the above mentioned devices.

The company's quality control system guarantees that the mass-produced devices meet the essential requirements of the applicable Directives and Regulations as well as the standards contained therein. This Declaration is annulled if any modifications are made to the device without the prior written consent of Planika.

Brzoza 02.02.2018

 **PREZES ZARZĄDU**
Jarosław Dąbrowski

Chairman of the Board
Jarosław Dąbrowski

The object of the declaration described above is in line with the relevant EU legislation: Directive 2009/142 / EC (until 20 April 2018) and Regulation (EU) 2016/426 (from April 21, 2018)

2. GENERAL INFORMATION

VALENTINO gas fireplaces are gas powered heating devices with closed combustion chamber, which use first-class advanced automation to control the gas valve. The device complies with European directives with regards to safety, the environment and energy consumption. Thanks to the use of the concentric flue system, the air supplied to the combustion chamber via the outer pipe is drawn from outside the building. The entire system is completely closed, which prevents the exhaust gases entering directly into the room where the fireplace is located. This provides the user with 100% security thanks to separation of the products of combustion, which are removed efficiently out of the building through the inner pipe of concentric system.

VALENTINO Gas fireplaces series are intended for indoor use only, and can be powered by natural gas or liquefied natural gas propane or propane-butane. The device is manufactured in four variants of glazing, in accordance with the accessibility for each installed, so as to be able to fully meet the needs of even the most demanding customers. Regardless of the glazing and the length of the chimney, VALENTINO fireplaces are equipped with automatic control and protection of the same type, and their connection to the gas system and the flue system is identical. The user also has the option of choosing the version of the interior of the fireplace and control it by using remote control supplied together with the device, through automation system of intelligent buildings or use for this purpose a built-in thermostat unit.

3. SAFETY

WARNING! It is mandatory to make sure to carefully read the installation manual and user manual before beginning of installation and operation of the fireplace series VALENTINO. This manual should be retained for the life time of the device.

WARNING! The device must be installed in accordance with the relevant national and local regulations. Connection to the flues, wall and roof passage as well as all elements used to install the fireplace should be made in accordance with existing norms of the national building legislation.

To ensure the secure installation and perfect operation of the device, observe the following precautions and adhere to the following safety rules:

- Read installation manual and user manual before installation and first use of the device.
- The device can be installed and serviced only by certified and skilled professional specializing in the field of gas heating and electricity.
- Installation of the unit must allow easy access to all components subject to maintenance and service, and to allow free access to the components of the system closing the front glass .
- Do not use the device before you fully install it in the chosen destination.

- Fireplace series VALENTINO should be monitored at least once a year in accordance with this installation manual and as well as all applicable national and local regulations concerning safe installation and use of gas appliances.
- Make sure that the information on the nameplate are consistent with the local type of domestic gas and pressure.
- Do not change the structure of the device and its sealed components or modify the default settings of the fireplace.
- Do not place extra decorative accessories (other than those supplied with the unit) or the glowing coals on the burner or in the combustion chamber.
- The components of the control system with the gas valve cannot be exposed to moisture.
- Carbon dioxide (CO₂) or powder extinguisher must be placed near the unit.
- Before connecting the device you should familiarize yourself with all connecting schemes (including electric), set out in the manual.
- The first time you turn on the fireplace VALENTINO, it is necessary to use it at the maximum level of the flame for a few hours so that the elements warm themselves, and possible small residues of paints, coatings and lubricants will evaporate.
- During the first hours of use of the device, additional ventilation and ventilation of the room is recommended, to quickly remove the characteristic smell fire resistant paint.
- **WARNING!** When you first start your device, the installer should perform the leak test on all gas connections, check the connections of all elements of the system (including the proper connection to the concentric air combustion system) and check the correct operation of all the items, in particular system of ignition and flame failure protection system.
- Do not move the device during its operation.
- The surface of the fireplace series VALENTINO may strongly heat up during use - up to more than 100 °C . **WARNING!** Accessible parts of the devices, including the glass, can become very hot. You absolutely must protect children from contact with the working device!
- Do not operate the machine without inserting the front glass.
- In case of failure of any of the glass panes, please contact your service provider or distributor.
- The device should be installed away from flammable materials.
- All metal parts of the fireplace series VALENTINO are constructed of materials resistant to rust or covered with corrosion coating.
- Never leave the fireplace VALENTINO unattended (as in the case of any other type of fireplace or fire in the room). Fireplace series VALENTINO should be installed out of reach of children, unauthorized persons and animals so direct contact with hot parts of the fireplace is not possible.

- In case of feeling any gas leaks, immediately turn off the fireplace and, depending on the type of fuel, close the main valve on the gas cylinders LPG or close the valve supplying natural gas to the device. You should also ventilate the room in which the fireplace is installed and contact the service staff.
- If the unit is not used for a long time, depending on the type of fuel, close the main valve on the LPG cylinder or close the valve supplying natural gas to the device.

3.1. Safety instructions for VALENTINO's fireplace instalation

- VALENTINO fireplaces are not standalone devices and are intended only for installation.
- You should install the ventilation grille or make a ventilation gap in the ventilation surface at least 300cm² at the base of the installation to provide adequate circulation in its interior. The device without grating or the ventilation slot on the desired surface will not work properly, creating a danger of overheating and damage to the appliance, or in extreme cases of fire.
- For installation of air combustion wires, you should only use the concentric system supplied by the company Planika.
- For the construction of fireplace housing equipment use only non-flammable materials (e. g. non-combustible and heat-resistant plates or materials made of stone). Non-combustible materials must be used to complete both external as well as internal part of the housing, and for completing the wall, at which the device will be placed.
- Strictly follow the minimum distance between non-combustible walls of the housing and the device.
- To improve the circulation inside the unit and to reduce the risk of overheating of its walls (including the wall, which the device was placed on), you must comply with the distances shown in the mounting drawings.
- Use the electric wires in high-temperature insulation, and place them away from the hot parts of the fireplace and installation items.
- Do not apply any additional insulation (wool, non-woven materials) do not wrap the device in any other material.
- Combustible materials should be placed no closer than within 1 m from the unit.
- Only decorative accessories attached to the device by the manufacturer should be placed on the hearth (logs, stones, vermiculite or ash imitation). These accessories should be installed as described in this manual. Incorrect placement of decorative materials may result in shortening the useful life of the hearth and its damage.
- **WARNING!** Make sure you don't place any decorative elements around the ignition and ionization electrodes.

- Before final installation of the device and start constructing the fireplace housing, make sure the explosion hatches placed at the top of the device are in the correct position and whether they were properly fitted to the sealing surface.

3.2. Safety instructions for the use of fireplace powered by gas cylinder

- Use only the type of gas and pressure specified on the label by the manufacturer.
- Gas cylinders should always be in an upright position - both during use and transport.
- A storage of the gas cylinder should be located in a place easily accessible to allow its immediate closure.
- During installation, never approach the gas flame or any other source of fire.
- Gas cylinder should not be closer than 1.5 m from the fireplace VALENTINO.
- Any leaks should be located using a mixture of water and foaming cleaning fluid. The resulting air bubbles indicate a leak.
- Always use a pressure reducer between the cylinder and the device. Replace pressure regulator at least every 5 years. Permissible pressure: 30mbar, 37mbar (recommended), 50 mbar. Use only regulators that meet the requirements of European Standard EN16129.
- Use only approved and certified cables connecting gas (flexible hose). Replace them at least every 2 years.
- Flexible hose supplying gas to the unit should be located away from sharp edges and hot surfaces. Avoid bends and twists of flexible connections along the whole length.
- Note that the gas cylinder LPG should be installed in well-ventilated areas. LPG gas is heavier than air and its accumulation on the substrate can lead to the formation of explosive mixtures.
- Optional housing, which cylinder of LPG will be placed at, must have adequate ventilation. It must have an upper ventilation opening above the top of the cylinder (with min 1/100 base surface of the installation) and a lower vent opening at its base (with min 1/50 base surface of the installation).
- Turn off gas cylinder, if the device is not in use.
- Filling the gas cylinders should only be done at certified gas filling stations.
- Exchange of empty bottles for full should take place only at authorized points.

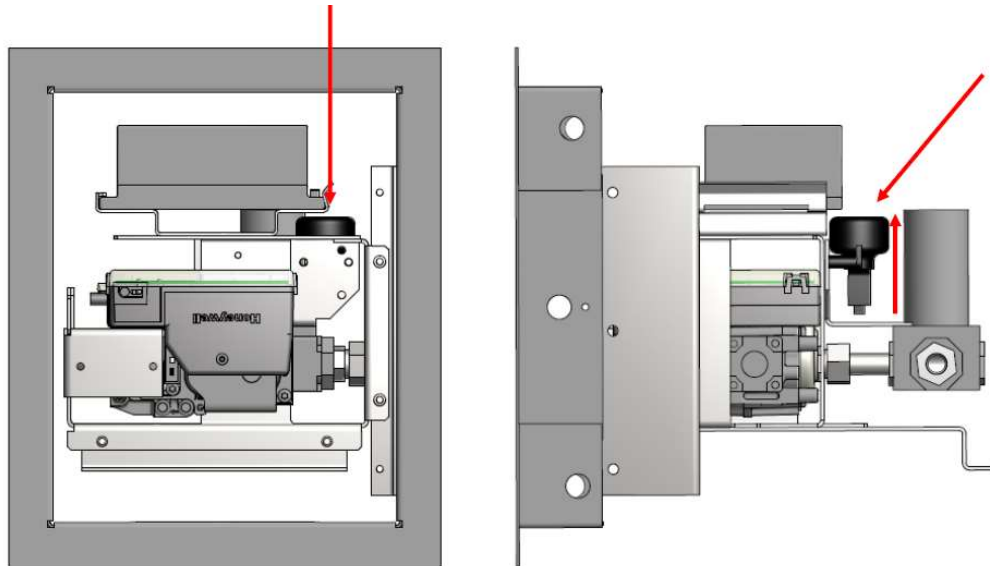
3.3. Safety sensors

Planika fireplaces are equipped with advanced safety sensors detecting hazards related to the presence of carbon monoxide (CO) and gas (LPG or natural gas, depending on the device category). In the event of any danger, the sensor will automatically turn off the fireplace and, additionally, it will inform the user about the threat detected by sound signals. Restart of the device is possible after removing the cause of the CO and gas

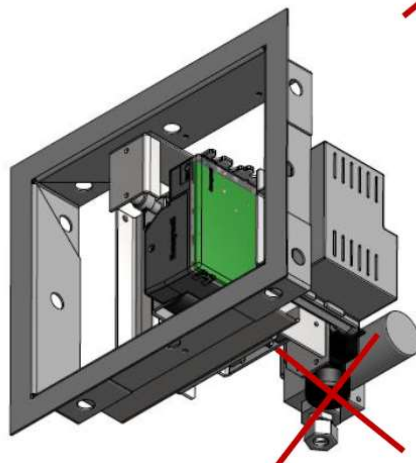
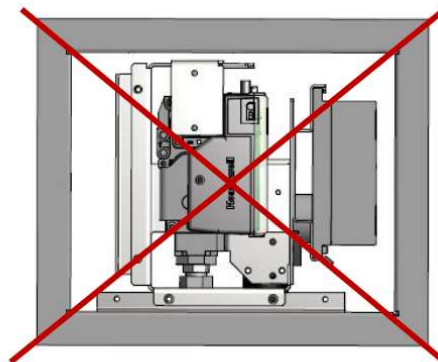
sensor activation. Detailed assembly instructions, wiring diagram and operating instructions are supplied with the sensor.

3.4. Seismic sensors

Planika fireplaces are additionally equipped with seismic detectors that automatically switch off the fireplace when any shocks (eg. Earthquake) are detected that endanger the safe use of the device.

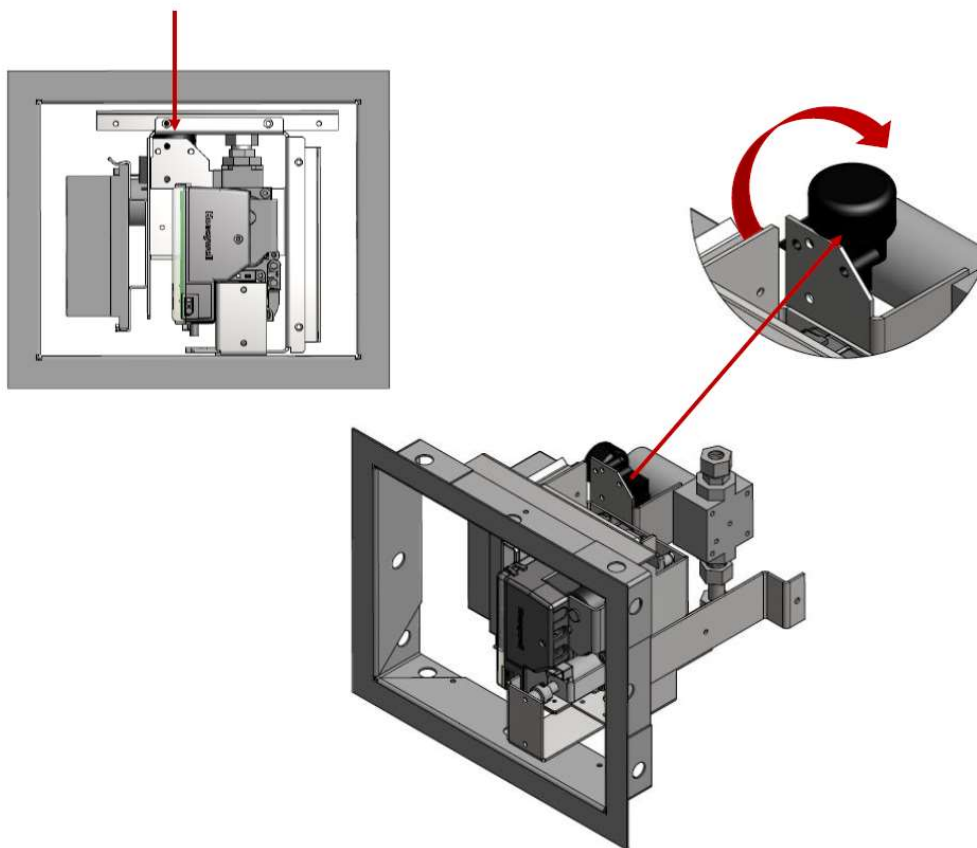


WARNING! The sensor must always be pointing up. By default it is mounted so that it works properly with a gas valve installed vertically.

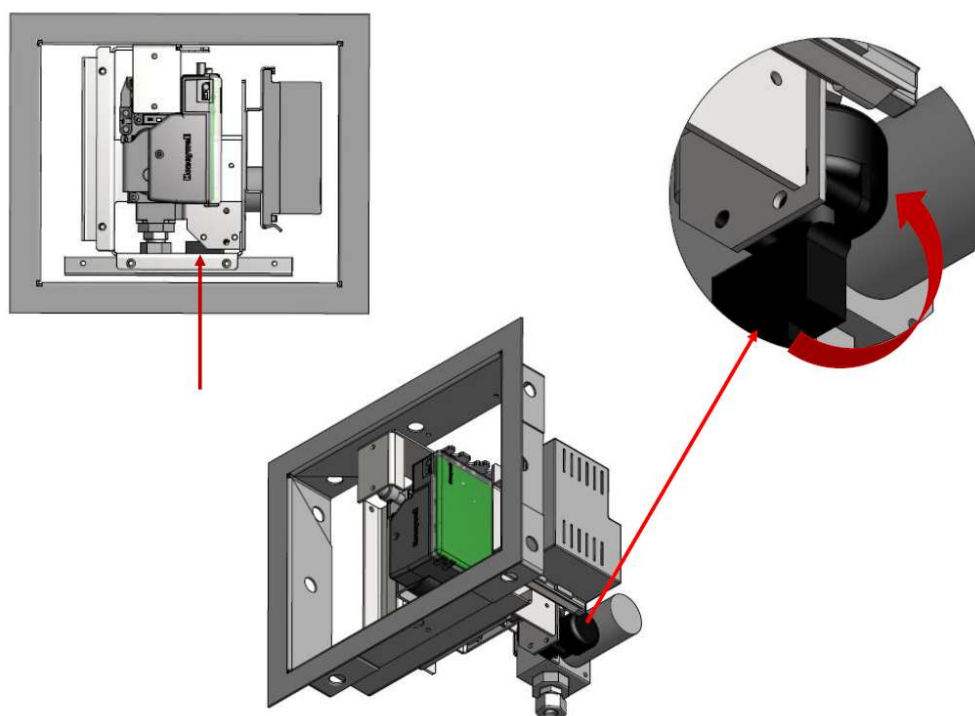


If it is planned to mount the gas valve in a non-upright position (90 degrees to the left or right), it is necessary to change the position of the seismic sensor so that it is always mounted in a vertical position.

Installation of the gas valve 90 degrees to the left



Installation of the gas valve 90 degrees to the right



4. UNPACKING

WARNING! Prior to installation refer to the instructions included with the device and check the completeness of the elements on basis of table of the elements.

4.1 Table of the Elements:

- 1 x complete gas fireplace
- 1x adapter of air combustion system
- 1x installation manual
- 1x user manual
- 1x remote control
- 1x power cord ended up with cube
- 1x gas sensor and CO sensor
- 1x inspection hatch
- 1x gas assembly handle
- 1x set of ceramic logs (or set of decorative stones)

After receiving the unit:

- Carefully remove the packaging of each item.
- Remove all delivered components which have been placed inside or under the device for the time of transport.
- Remove all the screws and brackets, which are used for attaching the device to the pallet.
- Inspect the device and accessories for possible damage caused during transport.
- Contact your dealer if any item from the package is damaged or found to be missing.
- Never start the installation, if the device is damaged.
- The packaging should be disposed in accordance with local regulations.

5. INSTALLATION

WARNING! The installer should be certified and qualified professional in the field of installation of gas and electric.

The device must be installed in accordance with the relevant applicable national and local regulations and to follow the rules or instructions contained in this installation manual.

5.1. Type of gas

Before installing, make sure that the data on the rating plate comply with the local type of domestic gas and pressure, and are in accordance with the type and pressure of gas in the target site. On the rating plate, which is located on the shipping box and next to the gas assembly, you can find type and family of the gas, the gas pressure and the country the device is intended for.

5.2. Conversion to another type of gas

Conversion of the device to another type of gas can be made only by replacement of the entire main hearth to another suitable for the new type of gas. The conversion can be done only by an authorized gas installer. To do this, contact the distributor. When ordering, always specify type and serial number of the device.

Warning! You should never connect any device adapted to the combustion of liquefied gas to the gas network of natural gas and vice versa.

5.3. Gas connection

Gas control system used in a series of VALENTINO meets the requirements for appliances burning gaseous fuel contained in directives 2009/142/EC and standards EN 298, EN 55014-1, EN 60730-1, EN 60335.

First and foremost, make sure that the connecting device is designed to supply a gas suitable for the type placed in the gas installation. All necessary information regarding the desired parameters of the gas are found on the rating plate of the device. Before connecting the gas supply, it is necessary to blow them to remove any remaining metal filings and other contaminants from inside. Automatic gas control system should be protected from moisture and dust. These factors may cause irreparable damage to the individual components. The pipe supplying gas to the fireplace should be equipped with a ball valve with a diameter of 1/2 inch. The individual elements of the gas installation cannot be sealed using Teflon tape or PTFE tape.

The gas valve on the gas pipe must be installed in accordance with applicable national regulations. Gas connection "Gin" on the main control valve of the fireplace is located next to the controller of the gas valve "C". Before connecting the gas, make sure that the gas pipes and connections have no dirt. Gas connection is finished with internal thread 3/8".

Regarding gas connection, the following requirements shall apply:

- You must use the gas pipe with the correct dimensions, so there are no pressure loss.
- Ball gas valve should be installed in an easily accessible place and have the necessary CE mark.

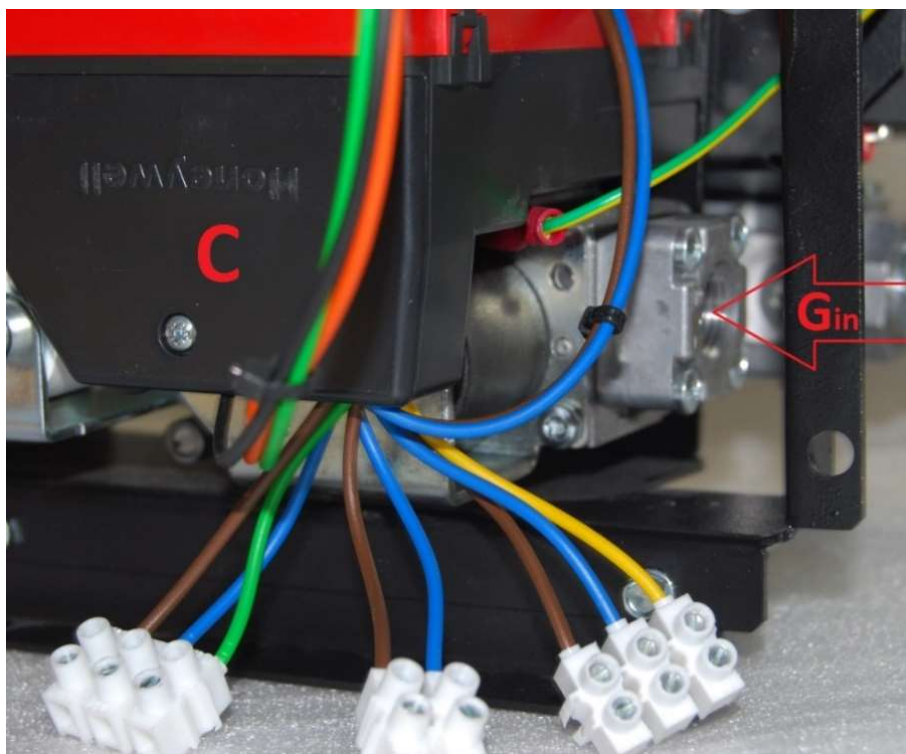


Photo 1 - Gas Connector

5.4. Electrical connection

Fireplaces VALENTINO requires connection to the mains 230V and should be connected by a person with the appropriate permissions. Remember to use electric cables in the heat-resistant insulation and place them away from the hot parts of the fireplace and installation elements. Electrical components of the gas valve control unit are sensitive to dirt and dust generated during the assembly process of making fireplace housing. Remember to protect against dust and moisture, all electrical components of the fireplace until their final assembly. The electrical connection is completed with triple cube (L, N, PE)

WARNING! Power must be connected only after connecting the air combustion system with all elements of the gas control system.

5.4.1. Connecting additional lighting or other electric receivers

Electronics that control the gas valve gives you the ability to connect an optional lighting (for example, to highlight the interior of the housing) and allows you to control it from the remote control and automation of intelligent building. The exact description of additional lighting control (or other electrical receiver) is described in the user manual.

A built-in relay "L" can be used to control any AC receiver (AC 230V/0,5A). The relay has neutral polarity.

Connector "B" is used for connection of an additional fan or optional throttle (max 230V AC/0,8A) eg. to improve air circulation within the housing or to distribute warm air from inside the housing to the other rooms.

Connector "M" is used for connecting additional gas solenoid, whose task is to turn on and off the side section of the hearth.

Connector "D" gives the possibility to use an alternative method of controlling the fireplace (as described in section 6.2.1). and integrate it through a wired connection with Intelligent Smart Home System.

Connector "F" is used to connect the fan (with feedback to the driver), mounted on the air combustion wire, supporting the chimney draft (max 230V AC / 0.8A). This connector cannot be controlled with the remote control and operates independently from the user. **This connector is not active.**

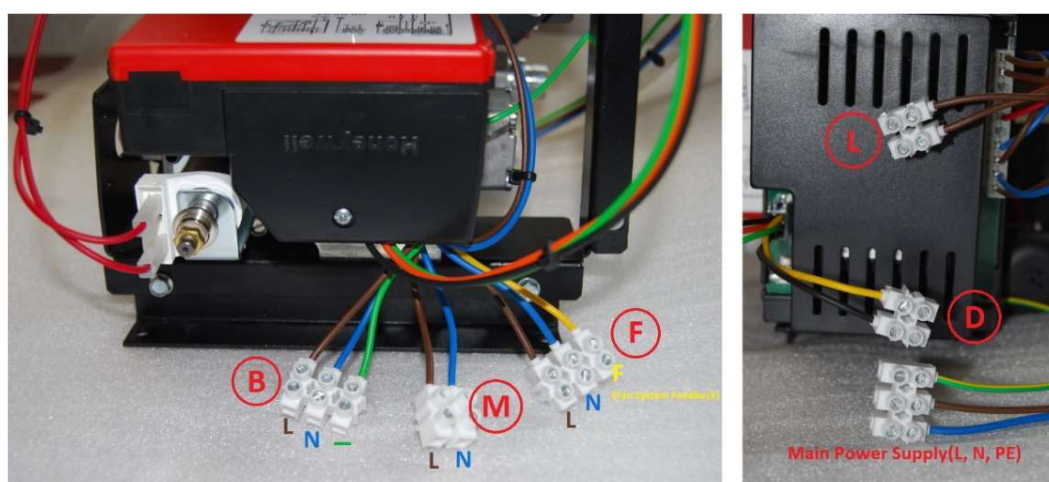


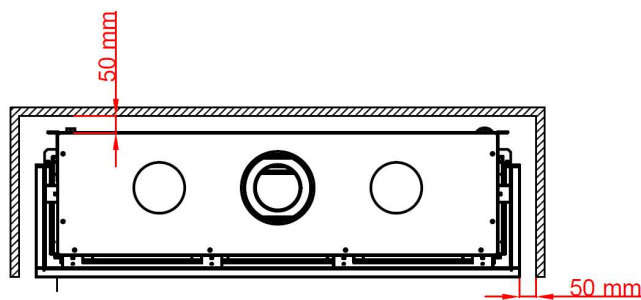
Photo 2 - Diagram of electrical connections

5.5. Device positioning

Before connecting the device to gas and concentric flue system, it should be thoughtful to choose the place of its detention and place it in such way, so that the concentric flue system have the minimum number of bends. This will ensure adequate chimney draft and adequate circulation inside the combustion chamber. It is also important that after you connect the fireplace to a gas pipe, flexible connecting wires are not exposed to excessive twisting and are located away from hot parts.

By acceding to the installation of the unit, particular attention should be paid to:

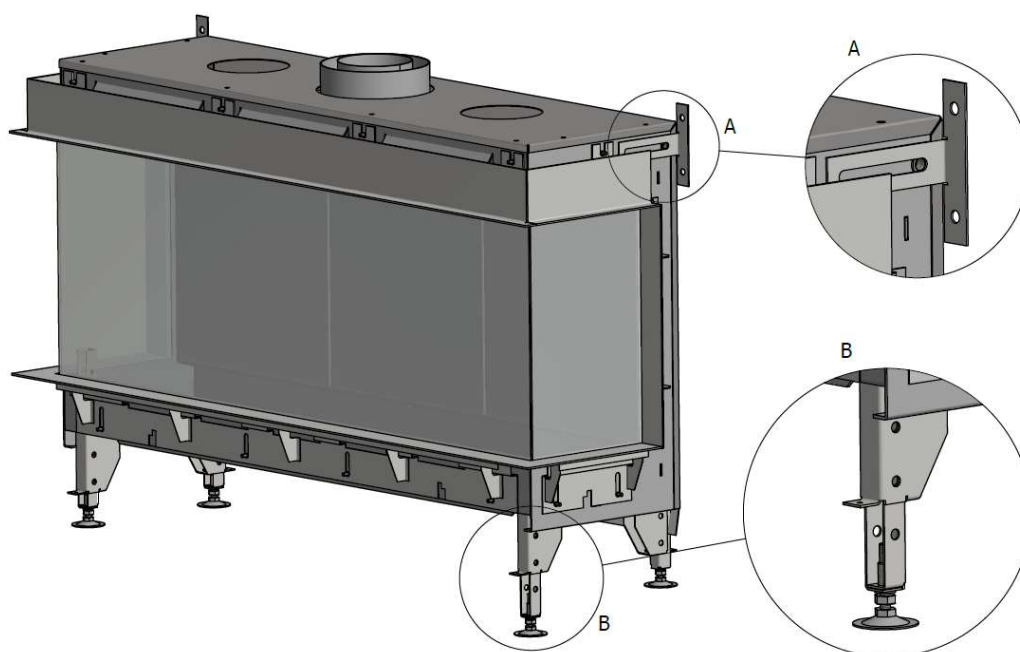
- The unit was located at a minimum distance of 1m from objects or flammable materials.
- The device was **minimum** 50 mm away from the non-flammable housing elements and the **minimum** distance between the device and the back wall was not less than 50 mm.



Picture 1 - The minimum required distance from the unit

- Outlet pipes were installed according to the manual.
- The wall, before which the device will be placed at, was made of non-flammable and heat-resistant material.
- Do not use any additional insulation, or wrap the device in any other material.
- The unit was in a stable position and was placed on a flat leveled base. This will be particularly important if the adjustable feet attached to device, will be extended to its maximum height, or when the device is sited in additionally elevated foundation. **WARNING!** Precise leveling the ground and the body of the fireplace will ensure the stability of the device and ensure the tightness of the combustion chamber.
- Minimum structural dimensions of the fireplace housing have been preserved.
- Gas pipeline together with the installed gas valve was supplied at the place of installation.
- Create an opening for the needs of concentric air combustion system with the following diameters:
 - pipe diameter +50 mm for the needs of the channel passing through combustibile material;
 - pipe diameter +200 mm for needs of the channel passing through combustibile material;

The device should be installed on a stable non-flammable surface. Gas insert is equipped with a special feet (B - Picture 2) with the possibility of adjusting their height (from 60 to 150 mm) and two adjustable mounting brackets (A - Picture 2) to allow attachment of the device to the wall. The mounting brackets (A) are used to maintain the minimum distance from non-combustible walls. It is forbidden to install gas insert without a minimum distance from the rear or side wall. The Assembly is allowed only vertically.



Picture 2 - Location of wall mounting brackets and adjustable feet

5.6. Fireplace housing execution

Before performing the installation, protect the elements of the gas control system from dirt. Installation of the fireplace, according to current building regulations should be made of non-combustible materials (including floor and ceiling). If the fireplace is powered by natural gas (NG), exhaust grille should be placed under the ceiling of the room where the device is installed. Power liquid propane - butane (LPG) requires from the installer placing the exhaust grilles next to the floor, above ground level in the room in which the device is installed.

To perform the installation of the fireplace housing, you should use non-combustible and heat-resistant materials, including its upper part, material in its interior and behind the device.

WARNING! The device must not be used as a supporting construction - it cannot keep the weight of the fireplace wall.

WARNING! If the device is built into the floor (only in the case of natural gas), you must take into account the minimum distance from flammable material floor finish. It is prohibited to build in LPG-powered device into the floor.

WARNING! You should follow the recommended minimum dimensions of the housing.

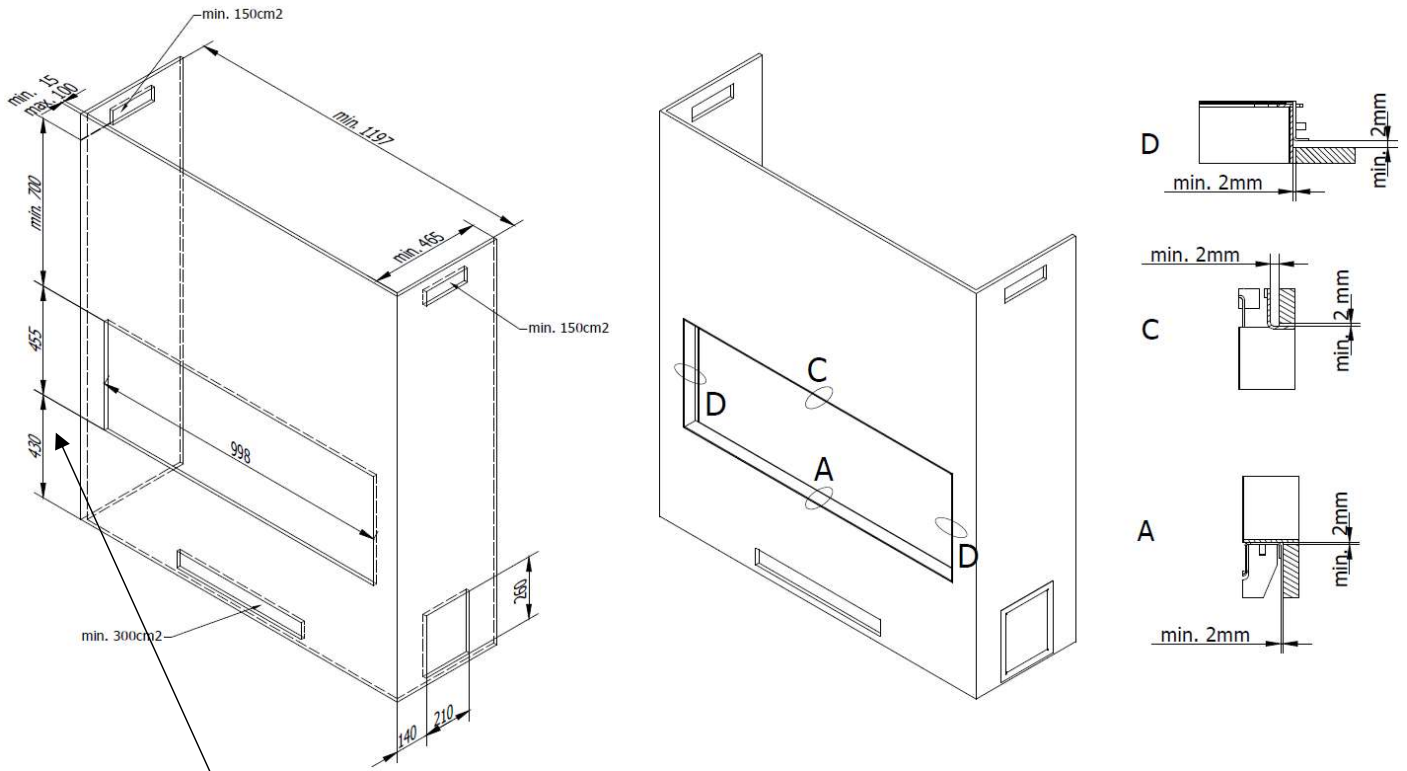
During construction of fireplace housing, you should consider the following:

- Inspection hatch must be placed as low as possible.
- Location of outlet ventilation holes. In order to ensure proper heat dissipation around the device, adequate space must be ensured. Fireplace wall should be properly ventilated with use of circulation holes (inlet and outlet). Outlet channels, which should be placed as high as possible on both sides of the walls of the housing (or one placed in the center) should have a total area of 300 cm² minimum, and inlet holes at the base of the wall should have a total area of 300 cm² minimum (Section 5.6.1).
- Keep at least 300 mm distance between the upper circular hole (outlet) and the ceiling of the room.
- Front hole of the fireplace housing must allow easy installation and removal of the front glass after placing the fireplace wall.
- Secure the gas assembly and gas pipes against cement and mortar.
- Decorative strips, frames, etc. should be installed after the completion of all required structural work, if possible. You should avoid using masking tape. If this is not possible, you should use good quality masking tape and remove it immediately after completion of the work including plastering or painting.
- Do not apply the plaster directly on the mounting frame nor on the edges, because the high temperatures generated by the device can cause cracks and it may not be possible to assembly or disassembly of the front glass.
- In case of using stone materials and/or gypsum plasters, to prevent the occurrence of cracks, leave fireplace wall to dry for at least six weeks before putting the unit into service.

WARNING! Before closing the fireplace wall completely, please ensure that:

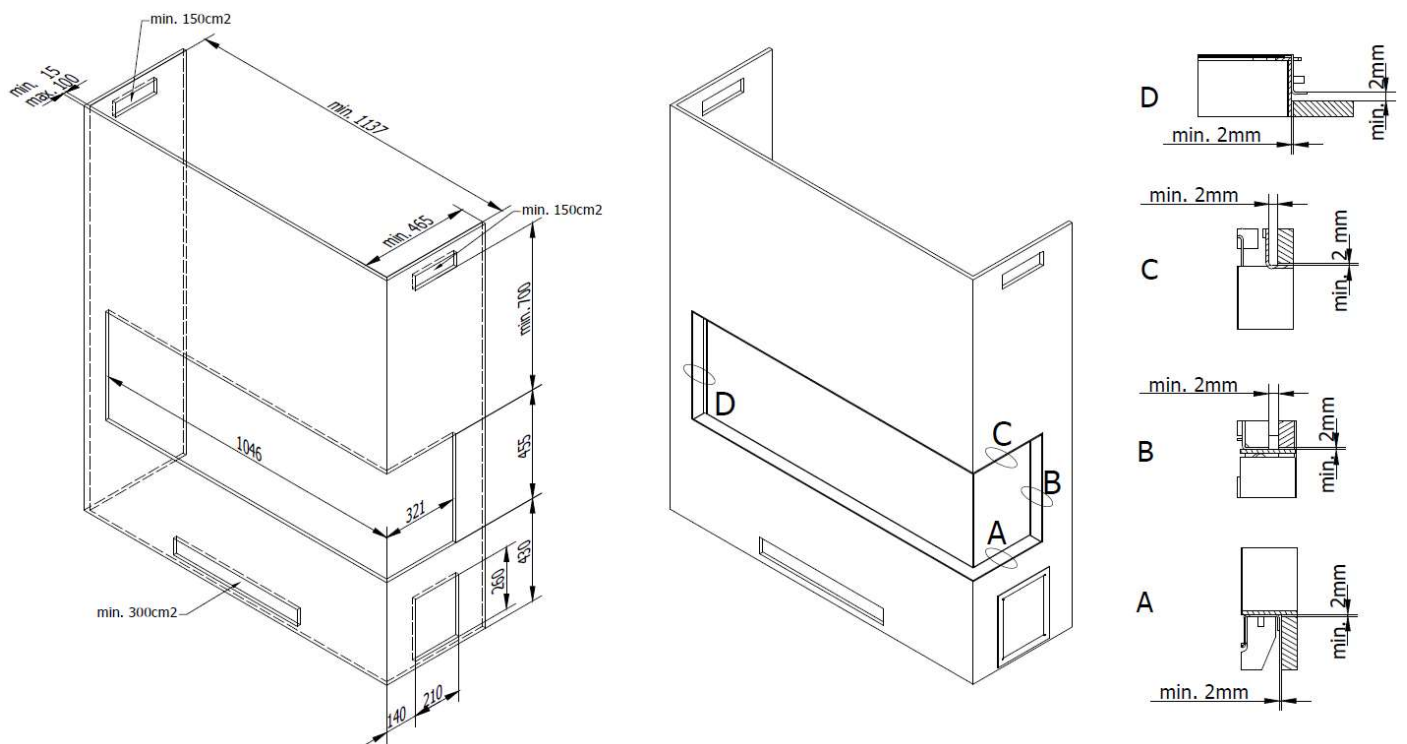
- Concentric flue system has been places correctly.
- Channels, mounting brackets and any connecting terminals, which will not be available after installation, are mounted correctly by using self-tapping screws.

5.6.1. Installation of the fireplace housing with a front glass F

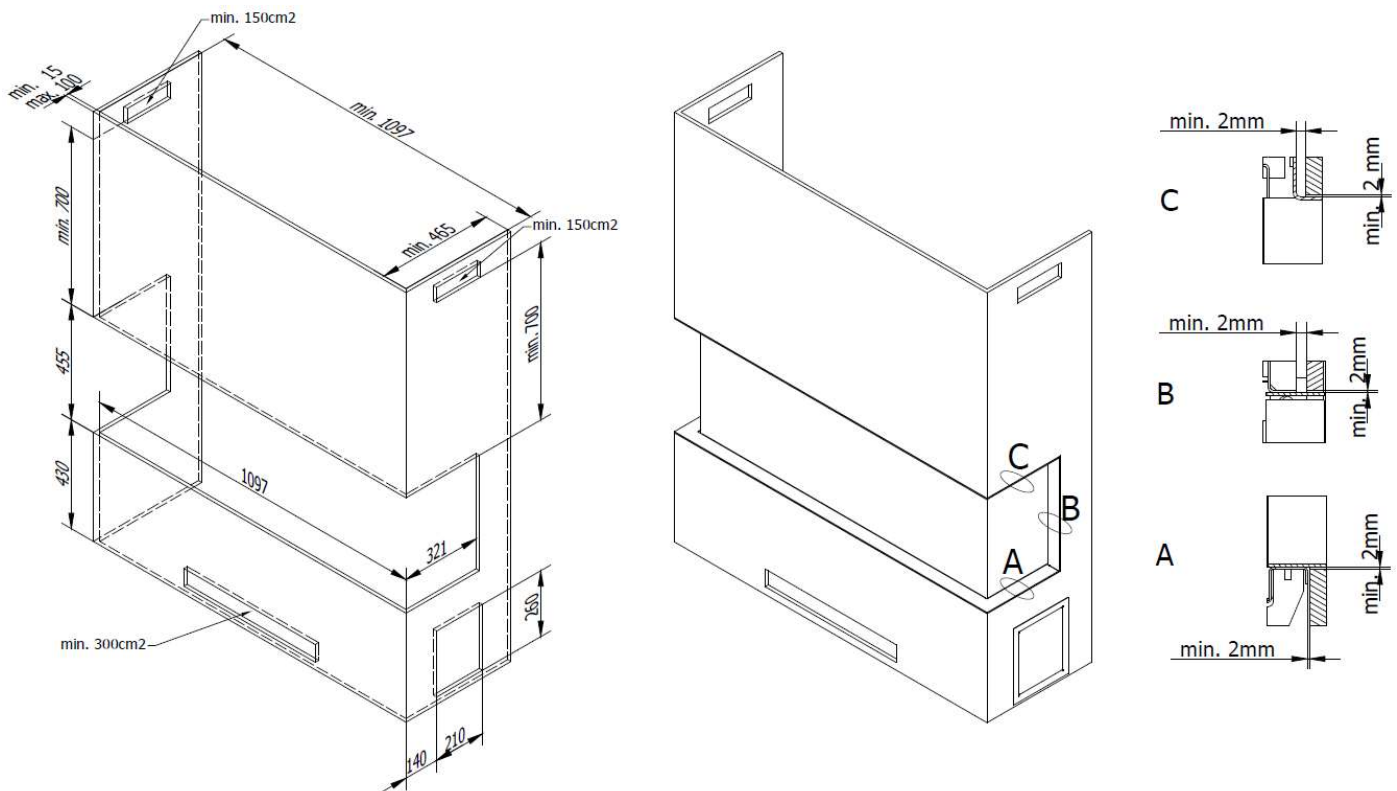


WARNING! The minimum height for the location of the inspection hatch beneath the product is 430mm. In case of the location of the inspection hatch next to the product, the height is minimum 215mm.

5.6.2. Installation of the fireplace housing with two-sided glazing LF / FR.



5.6.3. LFR Installation of the fireplace housing with a tripartite glazing LFR



5.7. Fireplace housing with platform

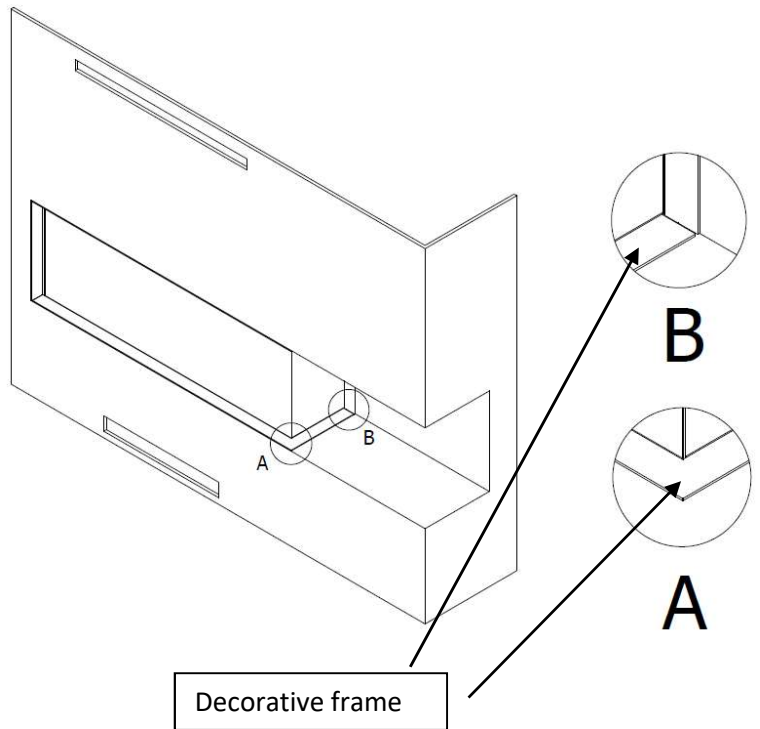
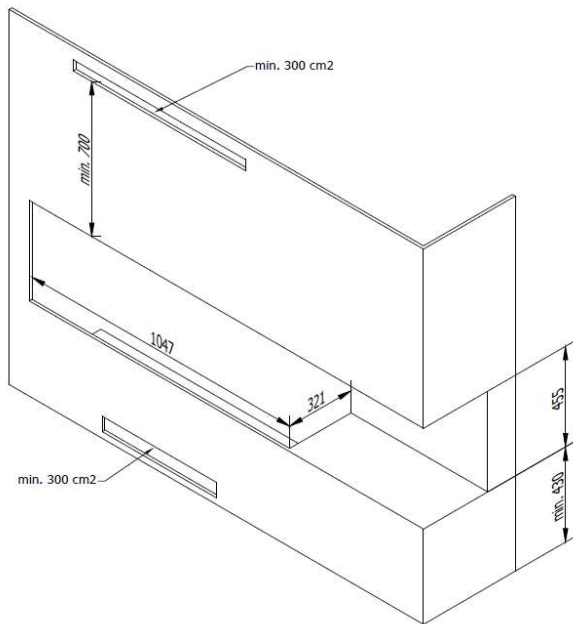
The device can be installed with the platform, being horizontal part of the housing, placed in front of the glass of the device. You can do this in combination with the bottom decorative frame or in the form of adjacent to the glass.

WARNING! The horizontal surface located in front of the glazing must be constructed of non-flammable and heat-resistant material.

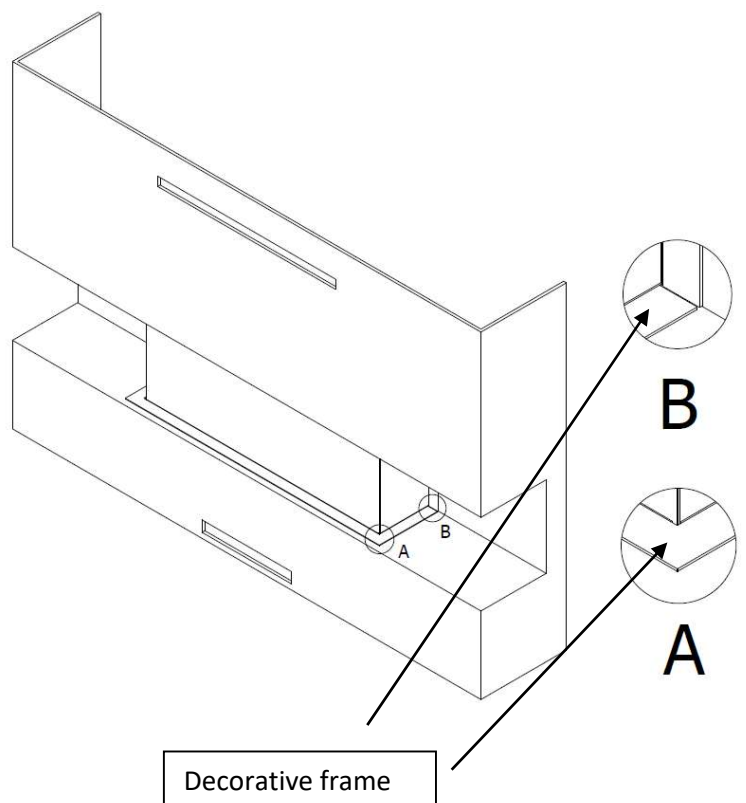
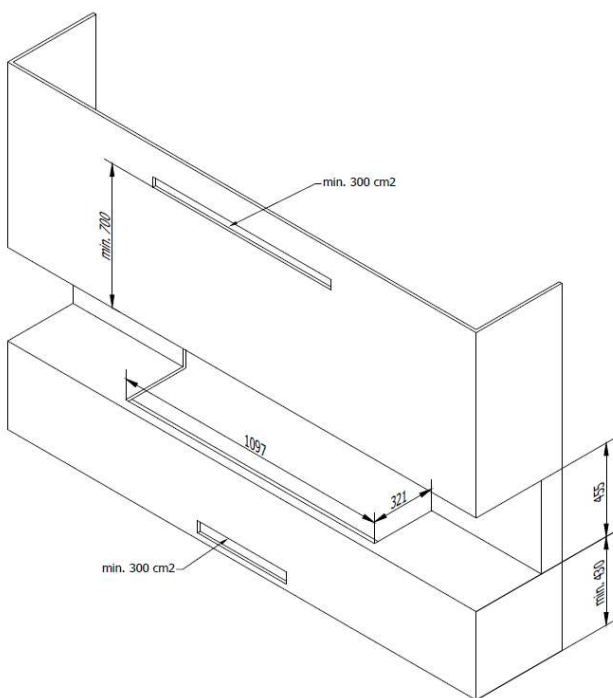
5.7.1. Fireplace housing in combination with bottom decorative frame

- You must follow the correct notch in the horizontal parts of the installation according to the drawings below.
- Adjust each other height of the device with decorative frame and mounting kit (constructive elements), so that the upper part of the platform is connected with the lower part of the bottom decorative frame.
- You cannot allow the platform weight to rest on the device. To do this, use the appropriate mounting kit (e.g. frame made of aluminum profiles).

Fireplace with two-sided glazing



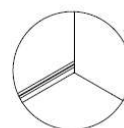
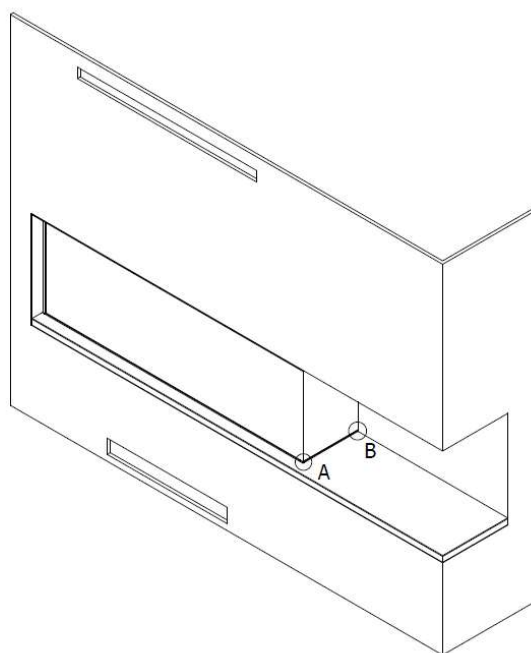
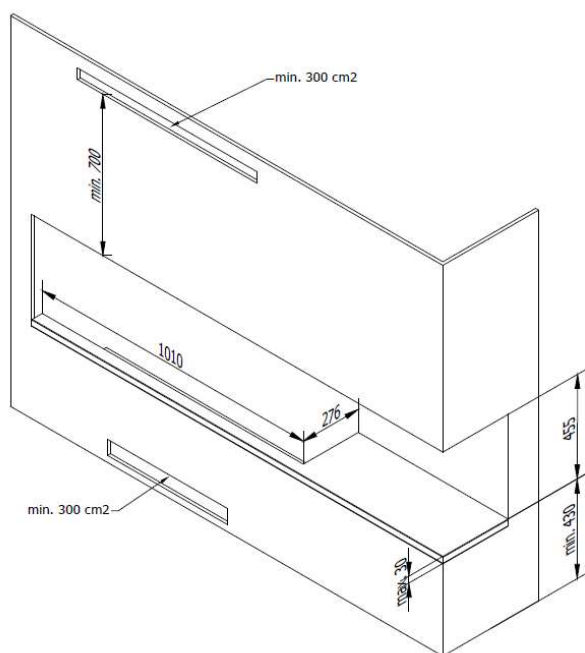
Fireplace with tripartite glazing



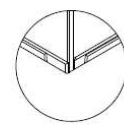
5.7.2. Fireplace housing without decorative frame

Design of the device allows the installation of the front lower part of the fireplace housing without decorative frame. This is allowed thanks to the installation of the horizontal part of the fireplace housing constructed of non-combustible and heat-resistant material near the machine shaft with a maximum material thickness of 30 mm. To properly construct fireplace housing, you should pay attention to make appropriate cut in the horizontal part of the fireplace housing according to the drawings below.

Fireplace with two-sided glazing

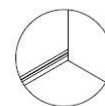
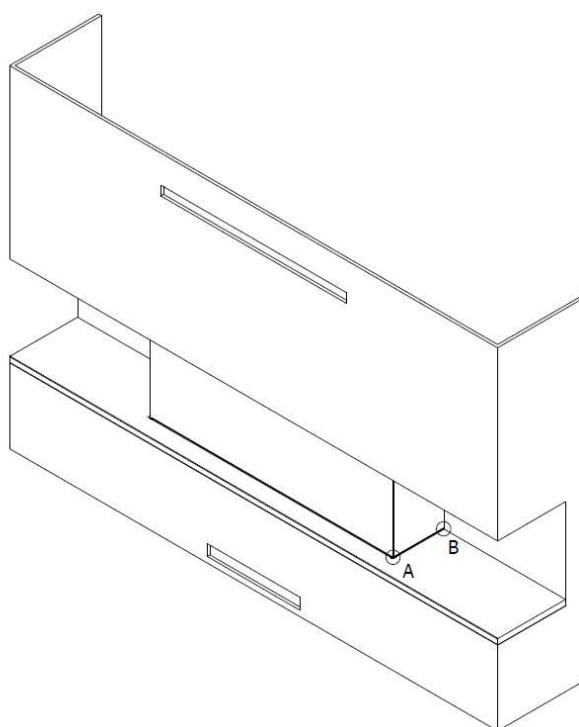
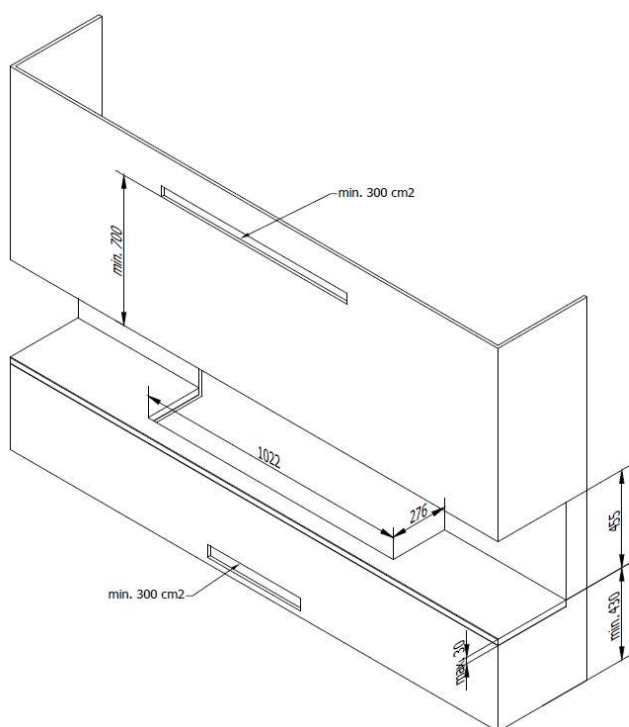


B

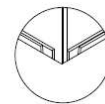


A

Fireplace with tripartite glazing



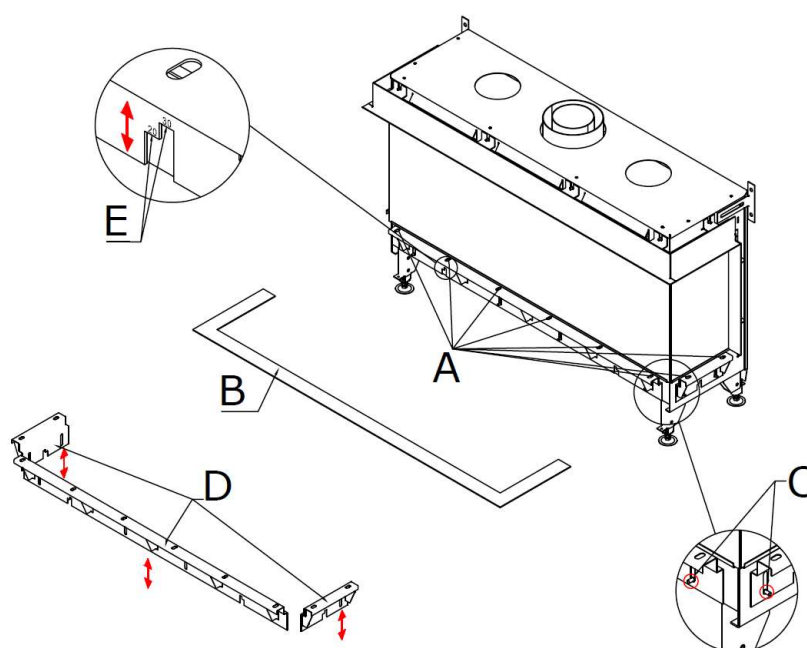
B



A

To remove the lower decorative frame you should:

- Loosen the nut M6 (A) on the bottom of the decorative frame.
- Dismantle and remove bottom decorative frame (B) from the bracket by careful lifting and bringing it forward. In this housing variant, the frame will not be re-installed.
- Loosen the brackets of the decorative frame (D) by unscrewing a few turns M6 nuts (C) on the body of the fireplace, which allows you to set the correct location of the frame in relation to the finishing material of the housing.
- Set brackets of decorative frame (D) at the correct height. It depends on the thickness of the material, which the fireplace housing is made of. In the lower part of the bracket there are notches (E), i.e. indicating the standard thickness: 20mm and 30mm. Setting a notch on a par with the edge of the body of the fireplace provides a horizontal position of the bracket. In order to ensure correct adjustment of the brackets, you must use the level.
- Tighten the nuts M6 (C).
- Adjust the height of each unit and installation kit (fireplace housing components), so that the lower part of the housing is connected with the adjustable brackets.
- **WARNING!** We cannot allow the fact that the burden of fireplace housing rests on the device or on a regulated profile. Make sure that there is enough space for the purpose of assembling and disassembling the front glass. Keep a minimum distance of 5 mm from the edge of the horizontal fireplace housing and the vertical surface of the front glass.
- **WARNING!** The platform shall be constructed of non-flammable and heat-resistant material.



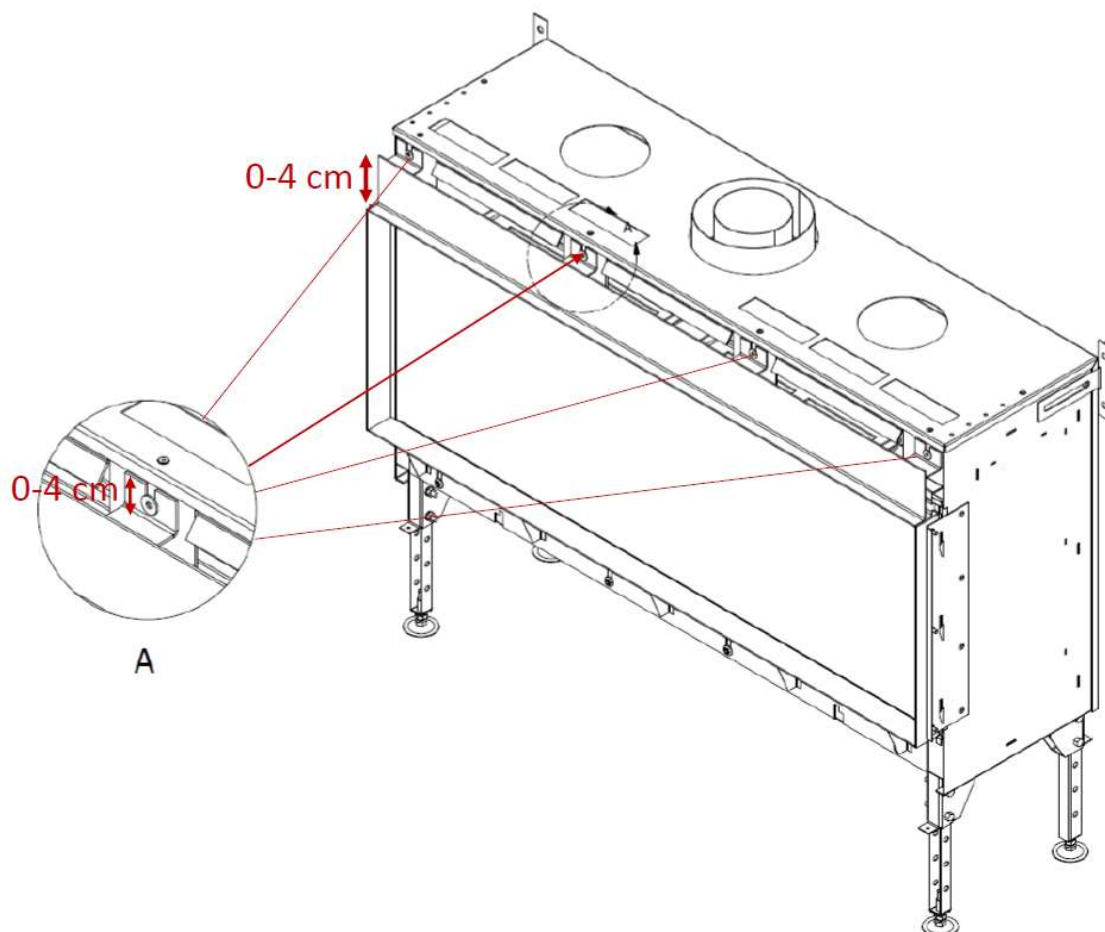
Picture 3 - Disassembly of the lower decorative frame

5.7.3. Adjustment of the upper decorative frame

In order to adapt the fireplace and its housing to the customer's needs and provide the optimal vision of the flames on the furnace, it is possible to adjust the position of the fireplace's top decorative frame in the range from 0 to 40mm (comparing to the default assembly)

To change the position of the upper decorative frame of the fireplace you should:

- Loosen all nuts that press the frame to the fireplace body
- Position and level the frame at a fixed height.
- Tighten all nuts that press the frame to the fireplace body
- **WARNING!** Take care that the frame does not slip down in an uncontrolled way and damaging eg the front glass of the fireplace.

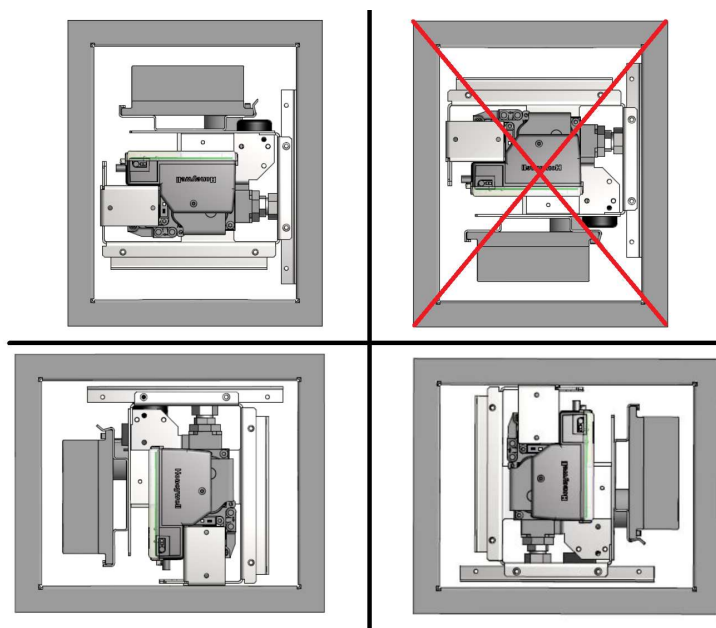


5.8. Placing the inspection hatch

The fireplace must be installed with the inspection hatch supplied with the unit. This is necessary in order to ensure sustainable, safe and correct operation and also facilitates free access to the block of the gas assembly during service and maintenance. During transport, the gas assembly is attached to the metal body of the device. It should be removed and placed in the inspection hatch during installation. Inspection hatch should be placed as low as possible in the wall of the fireplace housing. The lower part of the inspection hatch could not reach higher than the surface of the burner of the device. Inspection hatch should be placed only inside dry room.

WARNING! If for aesthetic reasons attached to the fireplace inspection hatch will be replaced by another one, the installer must take care about the correct and safe positioning of the gas assembly inside.

To place an inspection hatch in the wall of the fireplace, you should make a hole in it with dimensions of 205x255 mm, which can be made in horizontal or vertical position. Place an inspection hatch in this hole, together with gas assembly, bearing in mind that it cannot be mounted upside down (Picture 4). Position of the driver can be adjusted in the range of 0 ° to 90 ° relative to its vertical position.

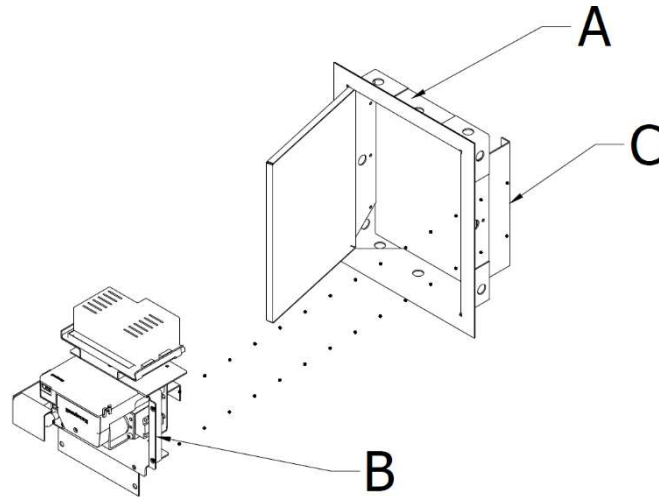


Picture 4 - The location of the inspection hatch

In order to mount the gas assembly inside the inspection hatch you should:

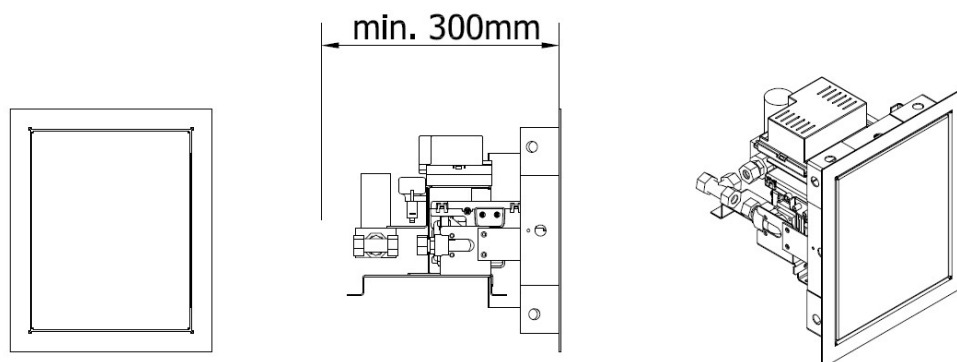
- Remove the handle with the gas assembly components (B - Picture 5) from the fireplace casing from a temporary location for the duration of the transport.
- Unroll the ignition cables and ionization electrode cable. This will prevent, among other things, poor operation of ignition. Be sure not to lead the ionization electrode cables and ignition electrodes next to the metal parts.

- Unroll flexible metal gas hoses, not allowing the formation of hose kinks.
- Install inspection hatch in this hole in the wall of the fireplace housing according to the previously mentioned guidelines.
- Mount the handle with the gas assembly components (B - Picture 5) to the bracket (C - Picture 5) in the internal frame of inspection hatch (A - Picture 5).



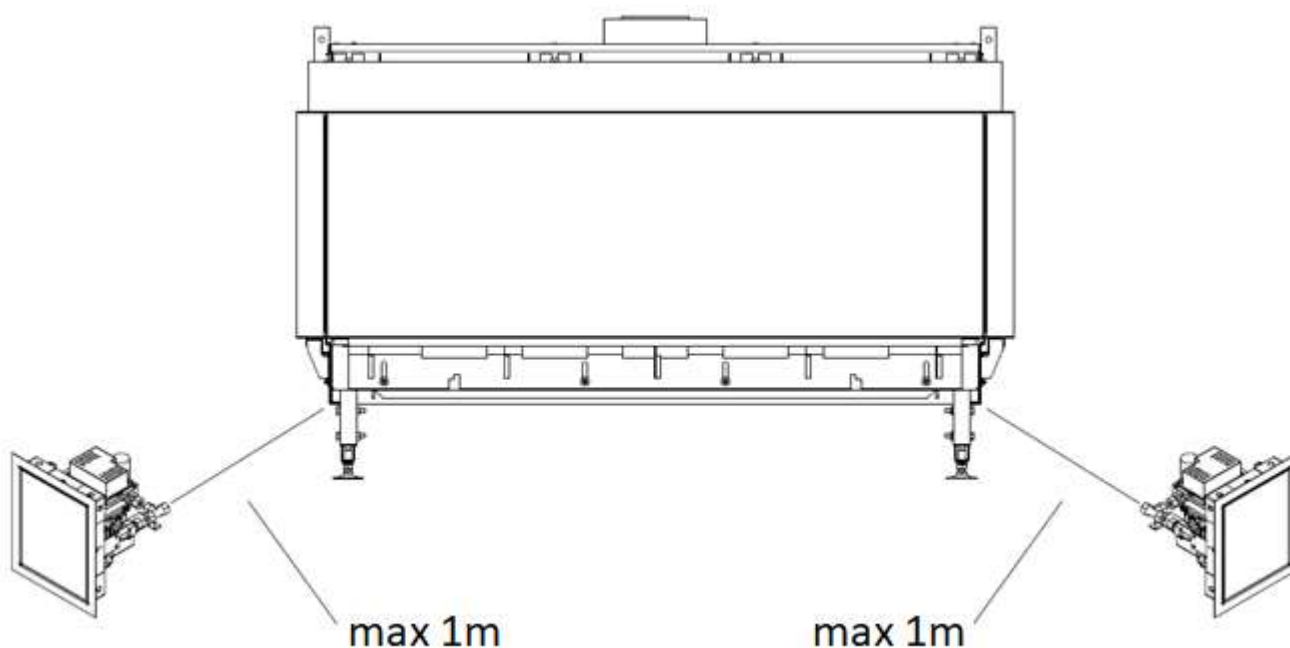
Picture 5-Installation of the gas assembly in the inspection hatch

- Attach the handle with the gas assembly components (B - see Picture 5) using self-drilling screws.
- Make sure that in there is no dirt in the gas pipes as well as connections at the gas assembly.
- Connect the gas pipe to the gas assembly.
- Connect the mains voltage 230 V with grounding to the power cord ended with cube, running from the gas assembly. **WARNING!** Connecting the device to the electrical network can be performed only by the person with the appropriate permissions.
- When placing the inspection hatch with gas assembly, the minimum size necessary for proper and safe installation should be considered.



Picture 6 - The minimum size for gas assembly installation needs

- Pay attention to the maximum distance of the gas assembly from the fireplace when placing the inspection hatch with a gas assembly.



Picture 7 - Maximum distance of the inspection hatch with gas assembly from the fireplace.

5.9. The exhaust and combustion air supply system

5.9.1. General Information

The device is connected to the integrated exhaust and combustion air supply system, hereinafter referred to as concentric flue system with dimensions of 200mm / 130mm. The concentric flue system might be derived outside by the side wall of the building as well as the roof. If necessary, you can also use the existing chimney for the combustion air supply. concentric flue system is designed for indoor use and therefore cannot be used outside, with the exception of terminals that are made for this purpose. In all these cases you must comply with regulations in force in the country.

Use the concentric system supplied by Planika. This system has been tested in conjunction with VALENTINO series. **WARNING!** Planika company cannot guarantee the proper and safe operation of other concentric systems, than provided by the manufacturer, and therefore disclaims any responsibility for malfunction of the system, which may result in incorrect operation of the device VALENTINO, its damage and violation of generally understood principles of safety.

Installation of concentric flue system should start from the connection of the device with installed on the factory adaptor. If, however, in connection with the mounting conditions, concentric flue system was installed in the first place, before the proper placement of the device, the concentric system can be connected to the device using a telescopic element of the concentric tubes.

Maximum length of the concentric flue system should not exceed 12 meters. It should be remembered that the 90 ° elbow is converted as a section of 2 meters, while the 45 ° elbow corresponds to the amount the concentric section with a length of 1 meter. It is recommended to exit the concentric flue system through the wall of the building by the use of 1 meter vertical section (minimum length), elbows 90 ° and up to 5 meter horizontal section (not counting the wall terminal).

WARNING!!! On the connections of individual components of the air combustion system, use supplied with the concentric flue system metal clamp providing additional rigidity of the entire system which operates in underpressure.

5.9.2. Recommendations for proper installation of the concentric flue system

To install concentric flue system you should:

- Construct the system starting from the device with mounted adapter.
- Perform passage for the needs of concentric flue system with the following diameters:
 - Pipe diameter + 50 mm for the purpose of passage through non-combustible material.
 - Pipe diameter + 200 mm for the purpose of passage through combustible material.
- Connect the straight sections and elbows (45 and 90 degree) of the concentric flue system.
- To improve the rigidity of the system you must install clumps at each connection.
- Use the appropriate number of wall brackets (every 2 meters) so the weight of the pipe does not rest on the device.
- Place the terminal seam (grooved/ribbed) to the top with a slope of 1 cm/meter towards the outside in order to prevent rainwater coming into its interior.

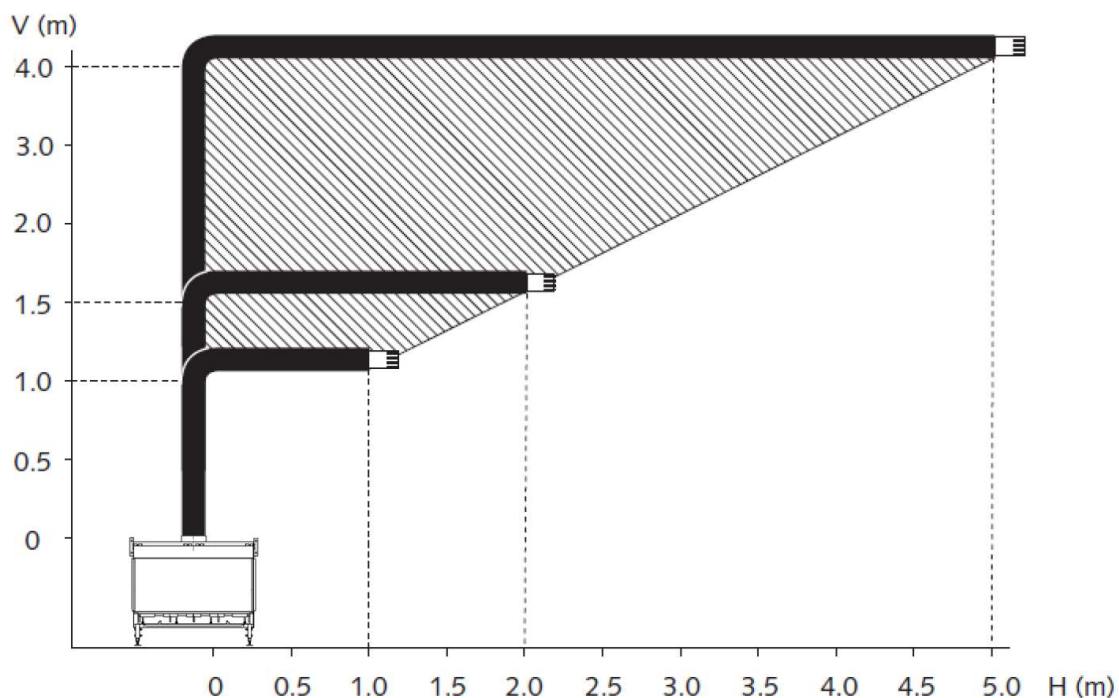
WARNING! Detailed installation manual of the concentric flue system is supplied together with this system.

5.9.3. Construction of the concentric flue system

Correctly installed and configured concentric flue system by the Installer will ensure an optimized air circulation inside the device and provide the best image of the flame.

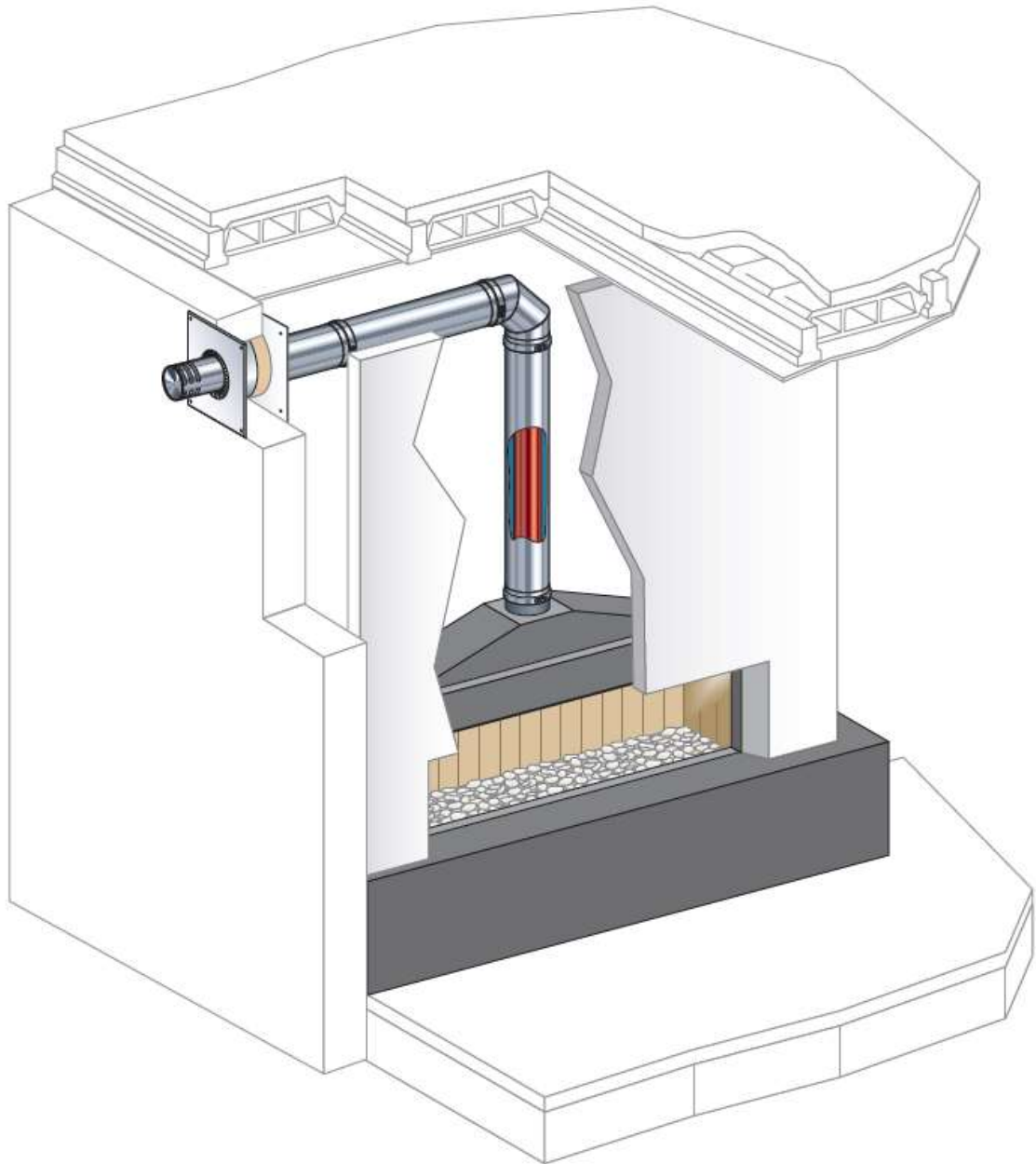
In case of output of the concentric flue system through the side wall (type C11), the following requirements apply:

- Install the system in accordance with the applicable regulations, taking into account all the difficulties related to the wind pressure on the terminal.
- Drill holes of the correct diameter in the walls/ceilings through which concentric flue system will be passing. The remaining space should be supplemented by additional protective insulation against the ingress of moisture into the building.
- If the concentric flue system is located near the combustible walls (elements) you must ensure a minimum distance of 100 mm from flammable materials.
- Installation of the concentric flue system should always start with the one meter vertical section (minimum height) at the outlet of the device.
- Total height of the pipe in vertical position, in case of concentric flue system getting through the wall of the building, may not exceed a maximum length of 4 m.
- Total length of the pipe in horizontal position, in case of concentric flue system getting through the wall of the building, may not exceed a maximum length of 5 m (not including terminal).
- **WARNING!** For the insert using LPG, it is recommended to use up to 2 meter of horizontal section (not including terminal).



Picture 8 – Possible system configurations with the wall terminal

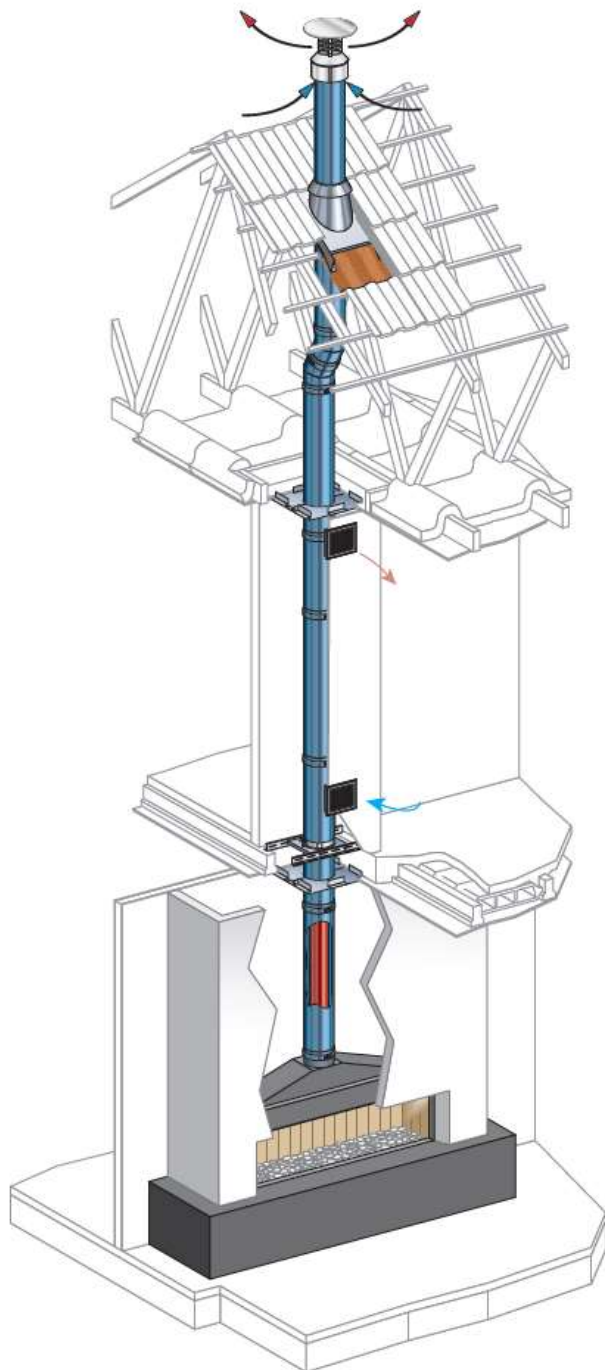
- The elements of the system should be connected together by using special clamps supplied with the combustion air system, which provide additional rigidity.
- If necessary, the individual elements of the concentric flue system can be stabilized by using wall brackets.



Picture 9 - Example of system configuration with wall terminal

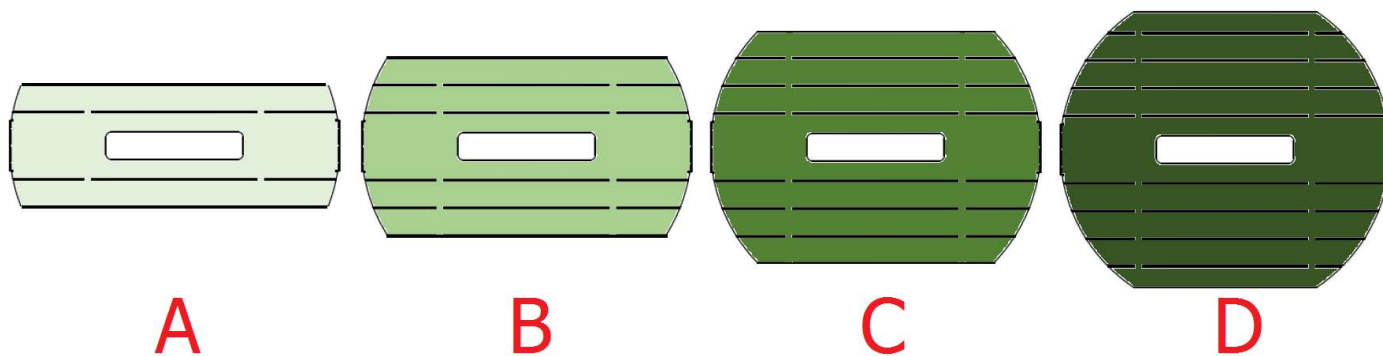
In case of exit of the concentric flue system through the roof (type C31), the following requirements apply:

- Make the openings of the correct diameter in the walls/ceilings, which the combustion air system will be passing through. The remaining space should be supplemented by additional protective insulation against the ingress of moisture into the building.
- If the air combustion system is located near the combustible walls (elements), you must ensure a minimum distance of 100 mm from flammable materials.
- Assembly of the concentric flue system should begin with the installation of one meter vertical section (minimum height) at the outlet of the device.
- Maximum length of the concentric flue system must not exceed 12 meters
- The maximum number of bends at an angle of 90 ° cannot be higher than 4.
- To calculate the maximum length of vertical and horizontal sections of concentric flue system, you must first count the number of planned arches 45 ° and 90 °. Next, calculate the length of concentric flue system corresponding to the number of applied arches, bearing in mind that the elbow 90 ° is converted as 2 meters long section while the 45 ° bend corresponds to the concentric section with a length of 1 meter. The result is subtracted from the number 12, will inform you about the maximum total length of vertical and horizontal sections of the flue.
- The various elements of the concentric flue system should be joined together by special clamps for added rigidity.
- If necessary, the individual elements of the concentric flue system can be stabilized by wall brackets.



Picture 10 - Example of system configuration with roof terminal

WARNING! Along with the device, a flue gas restrictor is delivered which shall be placed in the flue pipe to adjust the chimney draft at the optimum level and to ensure the best image and behavior of the flames.



In case of using a roof terminal, installation of the concentric flue system must comply with the above calculations and must be constructed according to the permissible configurations contained in the Table below.

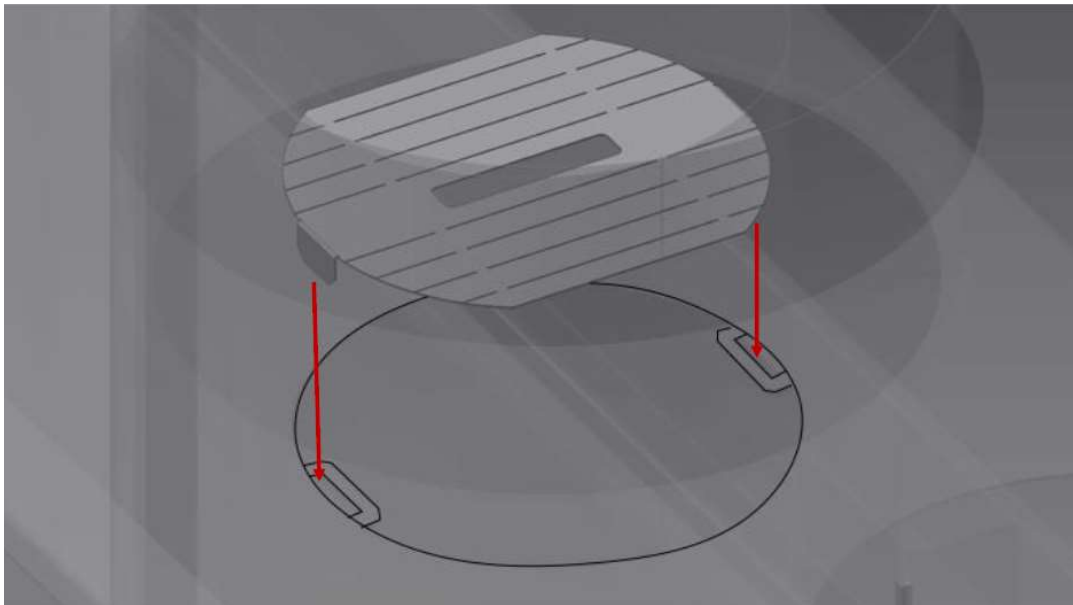
WARNING! Please note that the following configurations are theoretical calculations and after each installation, check the chimney draft and the appearance of the flame individually for each installation. The necessity of any configuration changes may be due to the specificity of the geographical location of the fireplace installation, weather conditions, wind directions and strength and the presence of other buildings in the area.

Quantity of 90 degree Bends	Total number of meters horizontal pipe length	Total number of meters vertical pipe length											
		1	2	3	4	5	6	7	8	9	10	11	12
0 bends	0	B	B	B	C	C	C	C	C	D	D	D	D
2 bends	0	A	A	B	B	B	C	C	C	C	C	D	D
	1		A	A	B	B	B	C	C	C	C	C	
	2			A	A	B	B	C	C	C	C		
	3				A	A	B	B	B	C			
	4					A	A	B	B				
4 bends	0	A	A	A	A	B	B	B	C	C	C	C	C
	1		A	A	A	A	B	B	B	C	C	C	
	2			A	A	A	A	B	B	B	C		
	3				A	A	A	A	B	B			
	4					A	A	A	A				

Table 1 - Concentric flue system configuration with a roof terminal

WARNING! The above configuration Table is also applicable in the case of connection of the fireplace to an existing chimney.

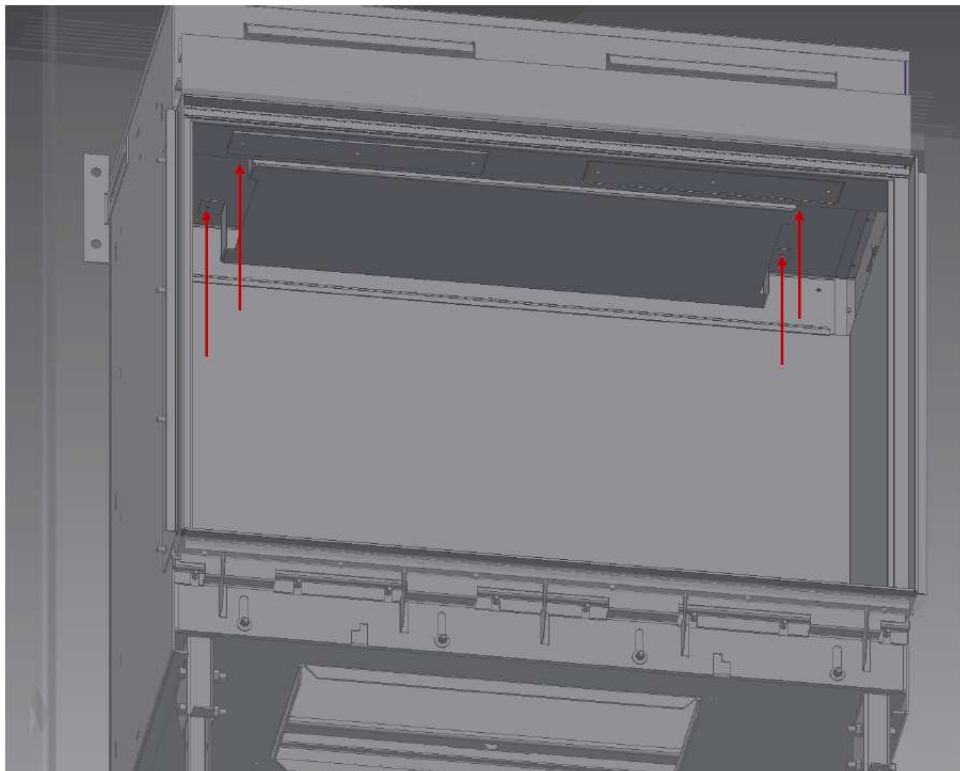
A properly selected flue gas restrictor should be placed during the installation of the fireplace before connecting the concentric flue system. It should be installed in the exhaust pipe (internal) in specially designed brackets.



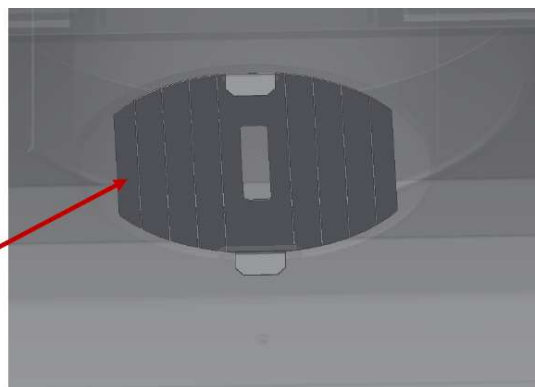
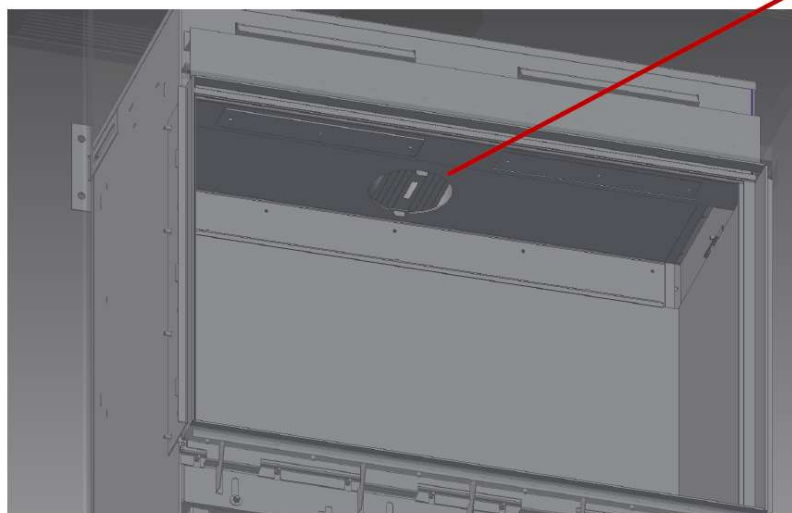
If it is necessary to change the configuration of the selected flue gas restrictor after the installation of the fireplace and after the final installation of concentric flue system, access to it is only possible through the fireplace combustion chamber.

In such a case to replace the flue gas restrictor you should:

- Disassemble the front glass of the fireplace,
- Unscrew the nuts holding the plate located in the upper part of the combustion chamber,
- Disassemble the plate,



- Replace the flue gas restrictor, paying special attention to place it properly in specially designed brackets.



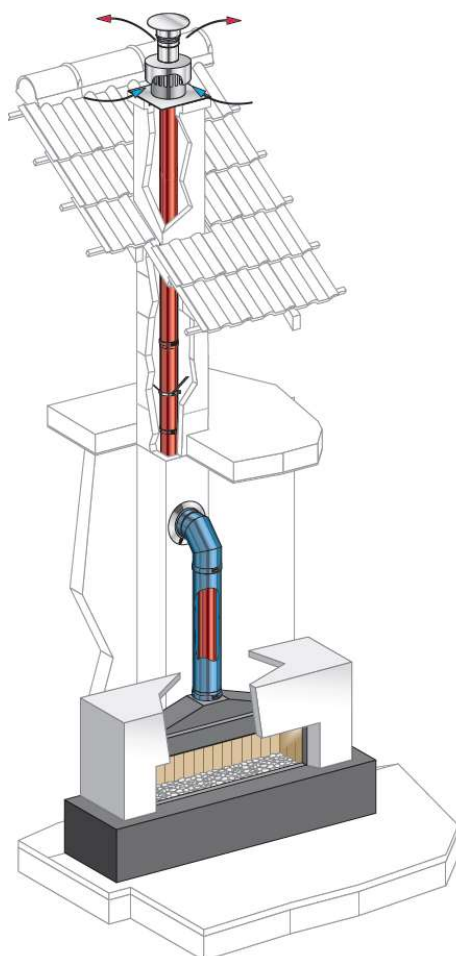
- Mount the plate in the upper part of the combustion chamber,
- Install the front glass of the fireplace.

Connection to the existing chimney (type C91)

The device can also be connected to an existing chimney using for this purpose a flexible stainless steel tube affixed to the chimney with a diameter corresponding to the diameter of the exhaust outlet of the device for the purpose of discharging flue gases (130mm). The area around is used to supply air for combustion. Please note that the system should start from a minimum of 1 m section of the concentric flue system (200/130), only then connect it to the system inside the existing chimney.

In case of connecting to an existing chimney, the following requirements apply:

- Approved only for use in combination with a special chimney set supplied by the manufacturer.
- The internal dimension of the existing chimney should be at least 200 x 200 mm, and the vertical height should be up to 12 meters.
- The total length of the horizontal pipe must not exceed a maximum length of 4 m.
- The existing chimney should be cleaned and sealed.
- In case of installation to the fireplace housing with already existing chimney, the same guidelines and instructions apply as like in case of the device with concentric system described above.
- **WARNING!** Installation manual is supplied separately with the supplied system.

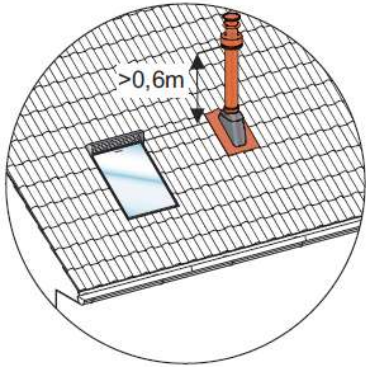


Picture 11 – Sample configuration of connecting to an existing chimney

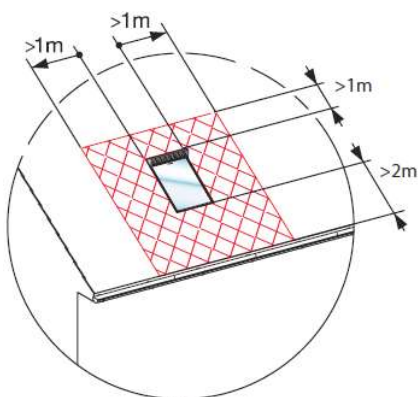
5.9.4. Distances of the exhaust outlet from the structural elements of the building

During the design and installation of concentric flue system, you should pay special attention to the location of the exhaust outlet in relation to the structural elements of the building.

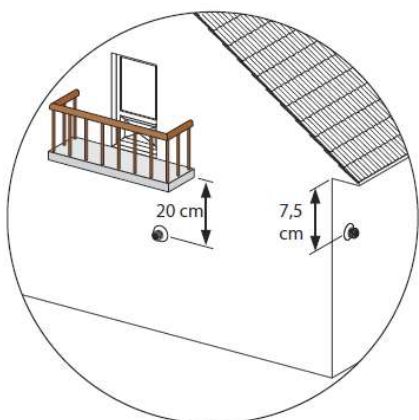
- Height near a roof window.



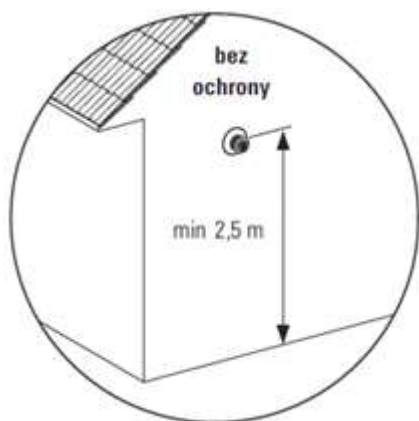
- Location near a roof window.



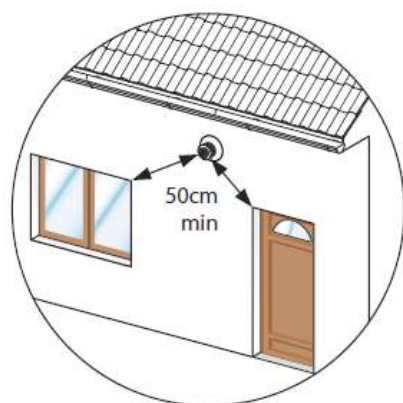
- Location under the balcony and below the edge of the roof.



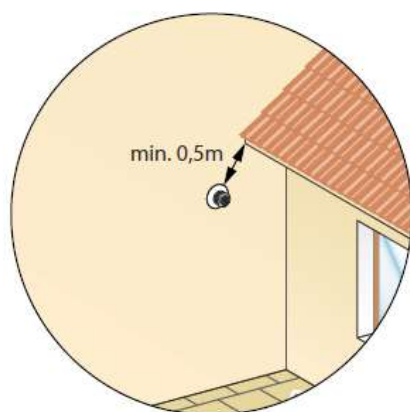
- Height above the ground level.



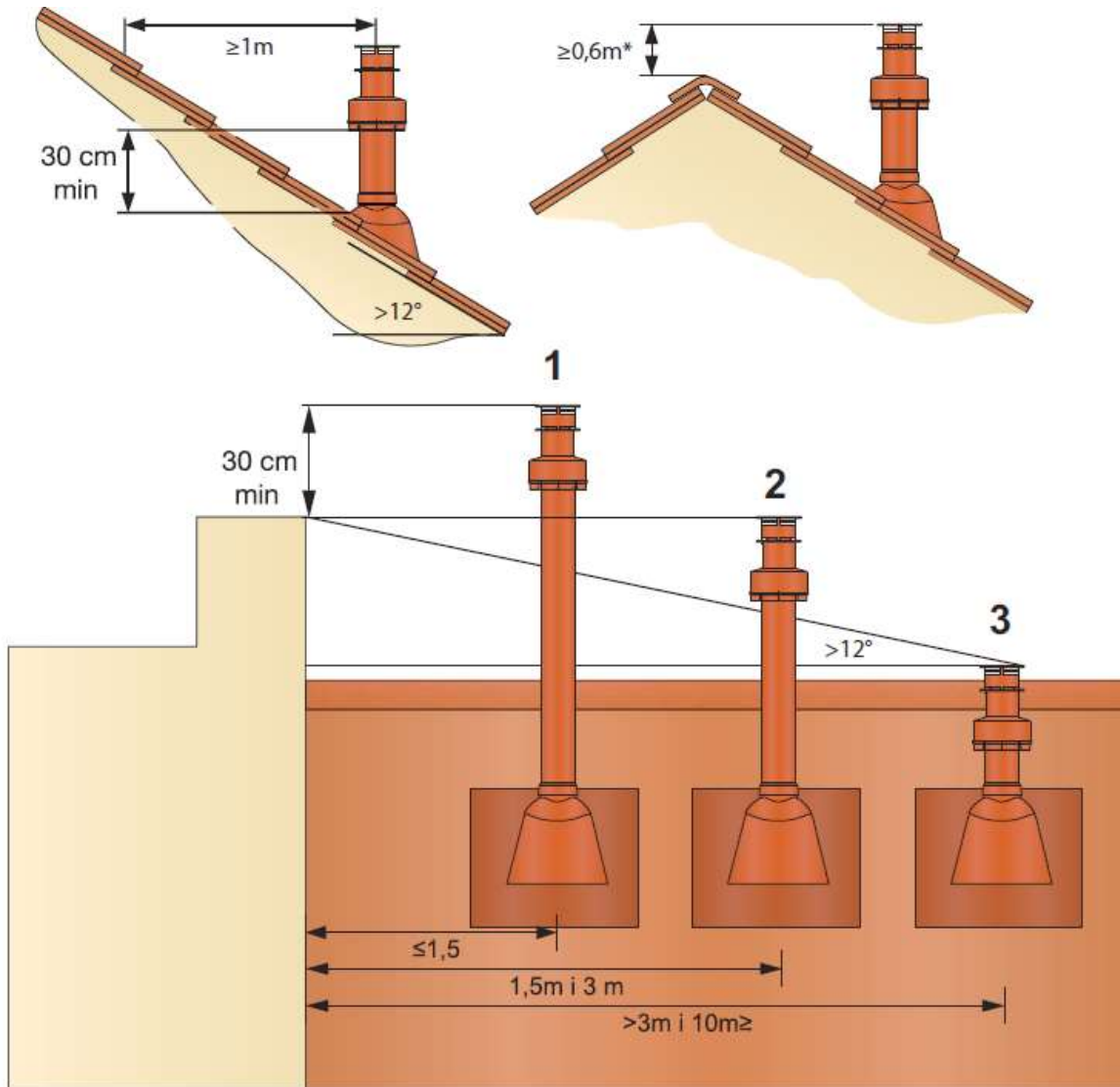
- Location near the door and window openings.



- Location near shading projections.



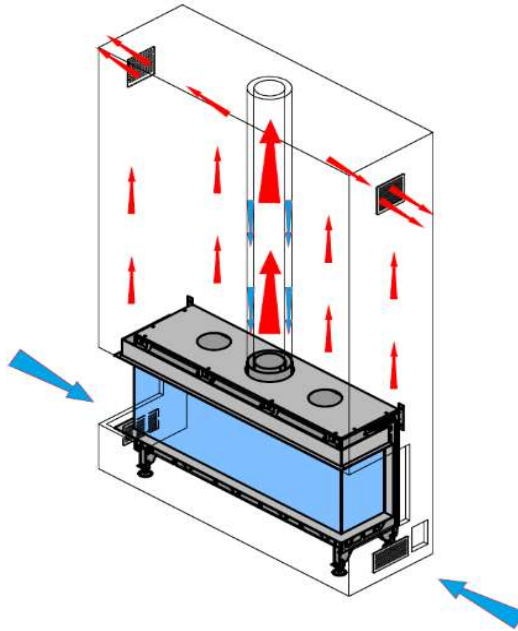
- The distance from the obstacles and structural elements at the roof passage.



1. In case of exhaust outlet from concentric flue system situated at a distance of 1,5m from the obstacle, the outlet chimney must be placed 0,3m above the top edge of the obstacle.
2. In case of exhaust outlet from the concentric flue system situated at a distance of 1,5 to 3m from the obstacle, the outlet chimney must be placed at least at the level of the upper edge of the obstacle.
3. In case of exhaust outlet from the concentric flue system situated at a distance of 3 to 10 meters from the obstacle, the outlet chimney must be placed at least 0,3 m above the surface of the roof with a slope greater than 12° and at least 0,6 m above the surface of the flat roof.

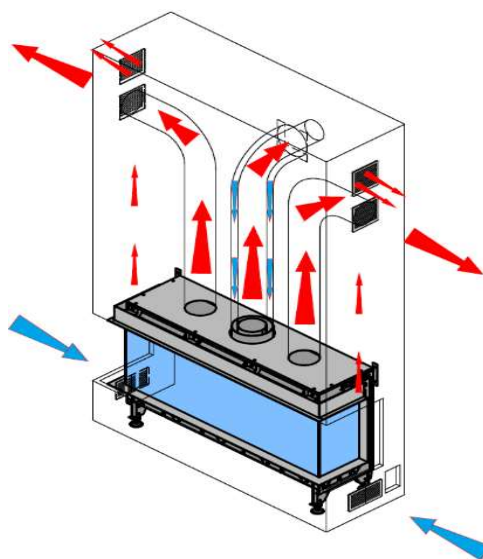
5.10. Ventilation and air circulation inside the fireplace housing

- To provide adequate air circulation inside the fireplace housing, the walls of the building should be equipped with appropriate ventilation openings.



Picture 12 - Ventilation openings

- To improve the circulation inside the fireplace housing and direct the stream of hot air passing through the body of the device, you can use two openings inside the casing, located on its upper part. You should use flexible connections for this purpose to move the hot air outside the housing.
- When using the openings in the upper part of the unit, in order to distribute the hot air from the body of the fireplace, it is necessary to make them above the ventilation openings to discharge the hot air outside of the fireplace housing itself.



Picture 13 - Vents with use of hot air distributor

5.11. Placing decorative elements

To install decorative elements, it is necessary to dismantle the front glass. Elements should be arranged in such a way as not to obscure the ionization and ignition electrodes as well as outlets of the hearth and to allow free flow of air around the hearth. Otherwise, it may result in incorrect operation of the fireplace. The ceramic elements or decorative stones cannot adhere to the glass, as it may cause its damage.

Decorative set of filling the combustion chamber attached to the unit consists of:

- Vermiculite



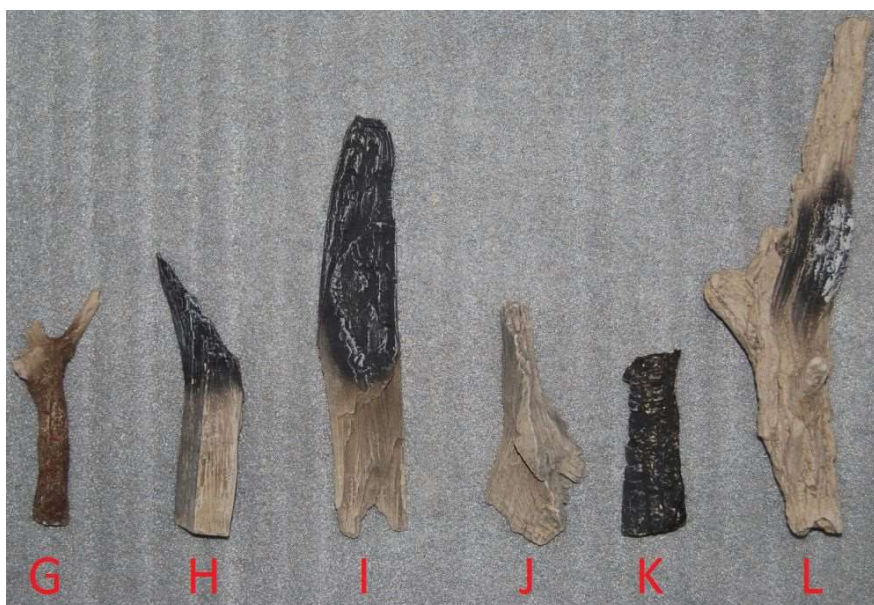
- Vermiculite chips



- Glowing wires



- Set of decorative logs



- Or Set of decorative stones, white or black.



WARNING! To ensure correct functioning of the device, the following safety instructions must be strictly observed:

- Do not place additional imitative blocks or glowing wires on the burner or in the combustion chamber other than those supplied with the device.
- Decorative stones must be placed according to the description and photographic documentation.
- Glowing wires should be used only in combination with decorative logs.
- Ceramic logs should be placed according to the description and photographic documentation. No other way of stacking logs is allowed other than the one indicated further in this manual.
- Decorative stones must be placed according to the description and photographic documentation. The interior of the combustion chamber should be filled with all supplied decorative stones.
- Make sure that the ionization and ignition electrodes as well as the space around them remained free, so that no decorative element touches any of the electrodes.
- Make sure that the gap between the burner and the tray surrounding the burner is not blocked by any decorative elements.
- Make sure to avoid spilling the powdery residue from the packaging during placing the vermiculite on the burner.

5.11.1. Arranging decorative logs

To properly arrange decorative logs on the burner you should:

- Fill the burner with vermiculite that came with the device and spread it evenly over its entire surface, remembering that vermiculite cannot reach above the edge of the burner. Uneven distribution of vermiculite may adversely affect the image of the flame and the life of the burner.

WARNING! The surface of the burner should be completely covered with vermiculite, in order not to shorten the life of the burner.

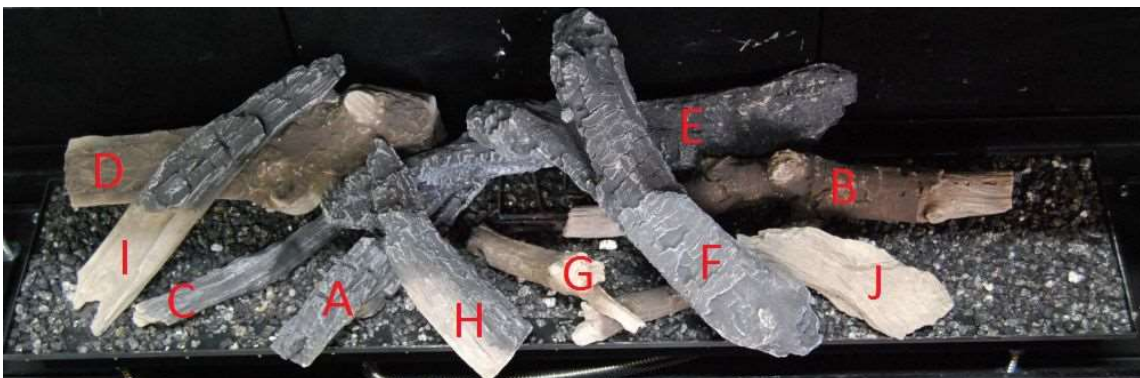
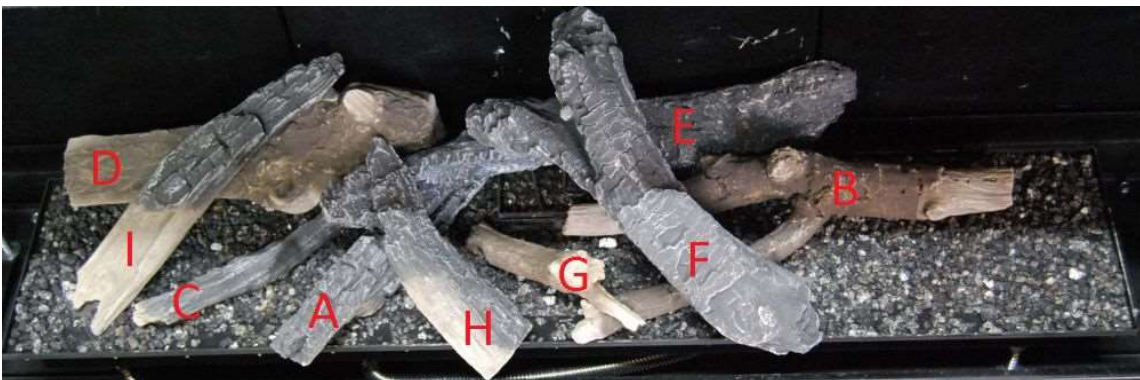
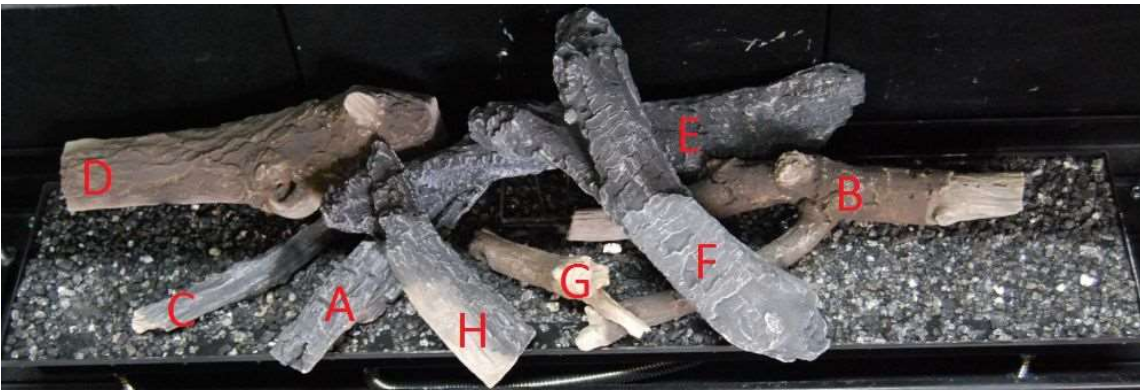
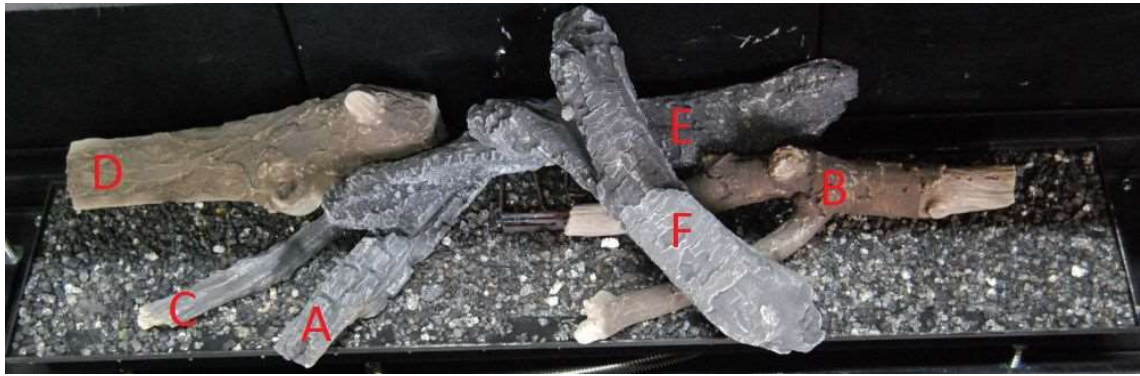


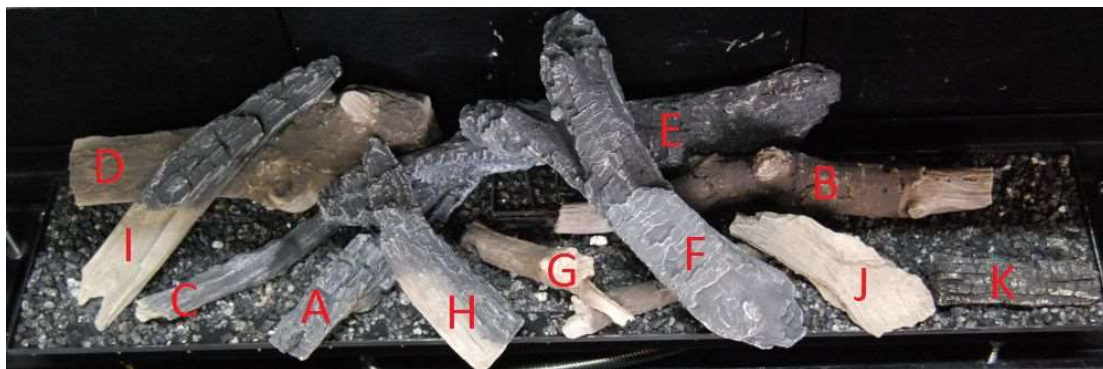
- Fill the tray designed for vermiculite located around the burner with the vermiculite chips by evenly distributing them.



- Identify all the ceramic logs from A to L. During the identification, follow the traces of burns on the surface of the branches and their shape.
- Place ceramic logs on the burner and vermiculite tray in given order, which is appointed by letters of alphabet. Logs cannot completely cover the shape of the burner which may cause the main burner not igniting properly. This can lead to incorrect operation of the device, and the device may quickly get dirty with soot which adversely affect the image of the flame.







- Place the glowing wires on the burner next to or under the decorative logs.

WARNING! The areas around the ionization and ignition electrodes should remain free from glowing wires.

5.11.2. Arranging Decorative Stones

To properly arrange the decorative stones, you should:

- Fill the burner with vermiculite that came with the device and spread it evenly over its entire surface, remembering that vermiculite cannot reach above the edge of the burner. Uneven distribution of vermiculite may adversely affect the image of the flame and the life of the burner.

WARNING! The surface of the burner should be completely covered with vermiculite, in order not to shorten the life of the burner.



- Fill the burner and vermiculite tray with decorative stone and distribute them evenly in a single layer.
WARNING! Incorrect placement of the stones (e.g. on themselves) may cause the main burner not igniting properly. This can lead to dangerous situations or adversely affect the image of the flame.



5.12. Glasses

Please note that only after proper placement of logs or decorative stones, you can start installing the glass. You should be careful not to damage the glass during handling or assembly.

5.12.1. Assembly of the glass pane

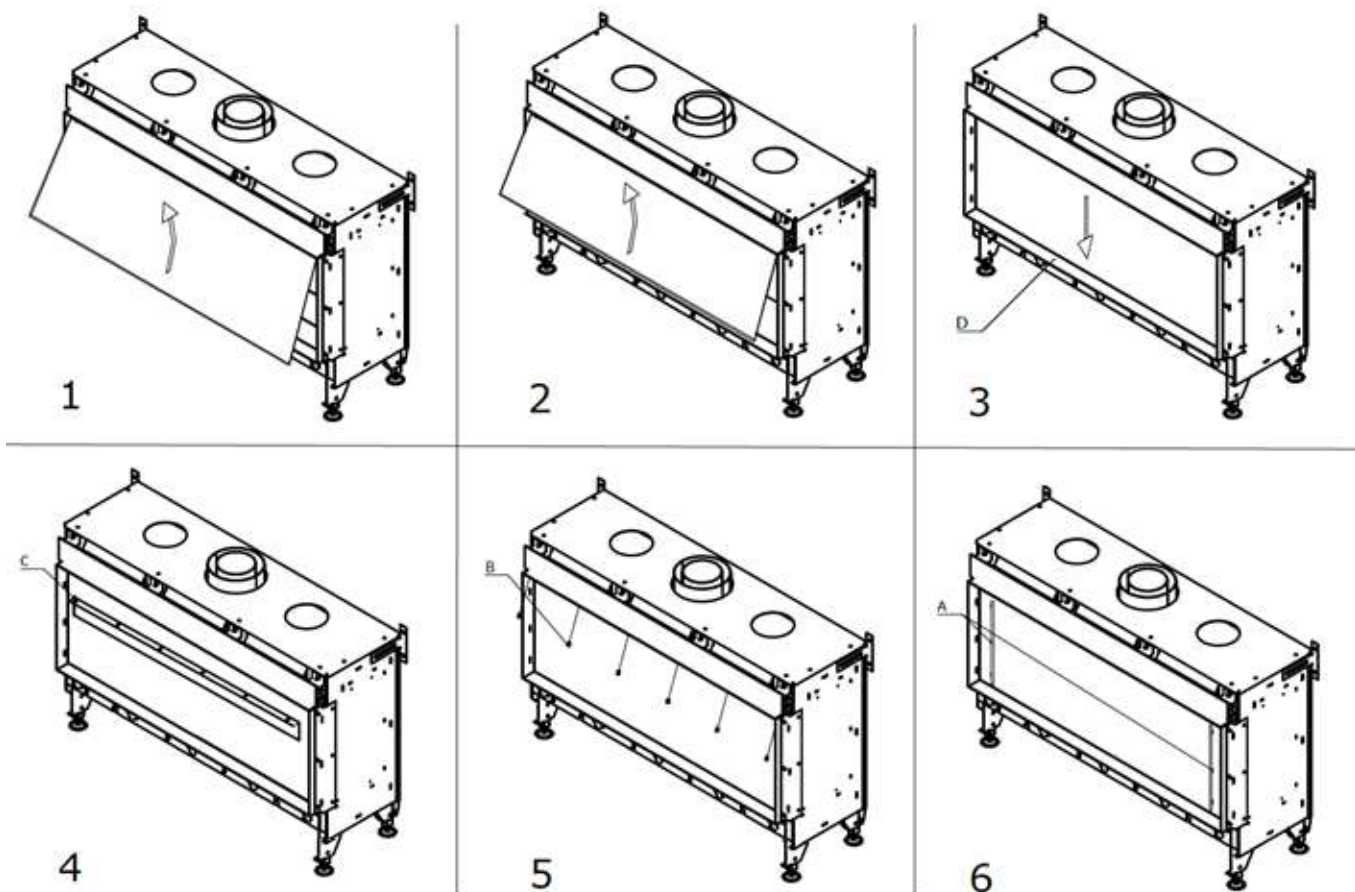
The device is equipped with heat-resistant ceramic glass to withstand temperatures up to 800 ° C.

Depending on the glazing of the unit, disassembly and assembly of the front glass takes place in a different way.

WARNING! Avoid leaving fingerprints, because they will burn out on the glass.

To mount the front glass of the device with the front glazing you must:

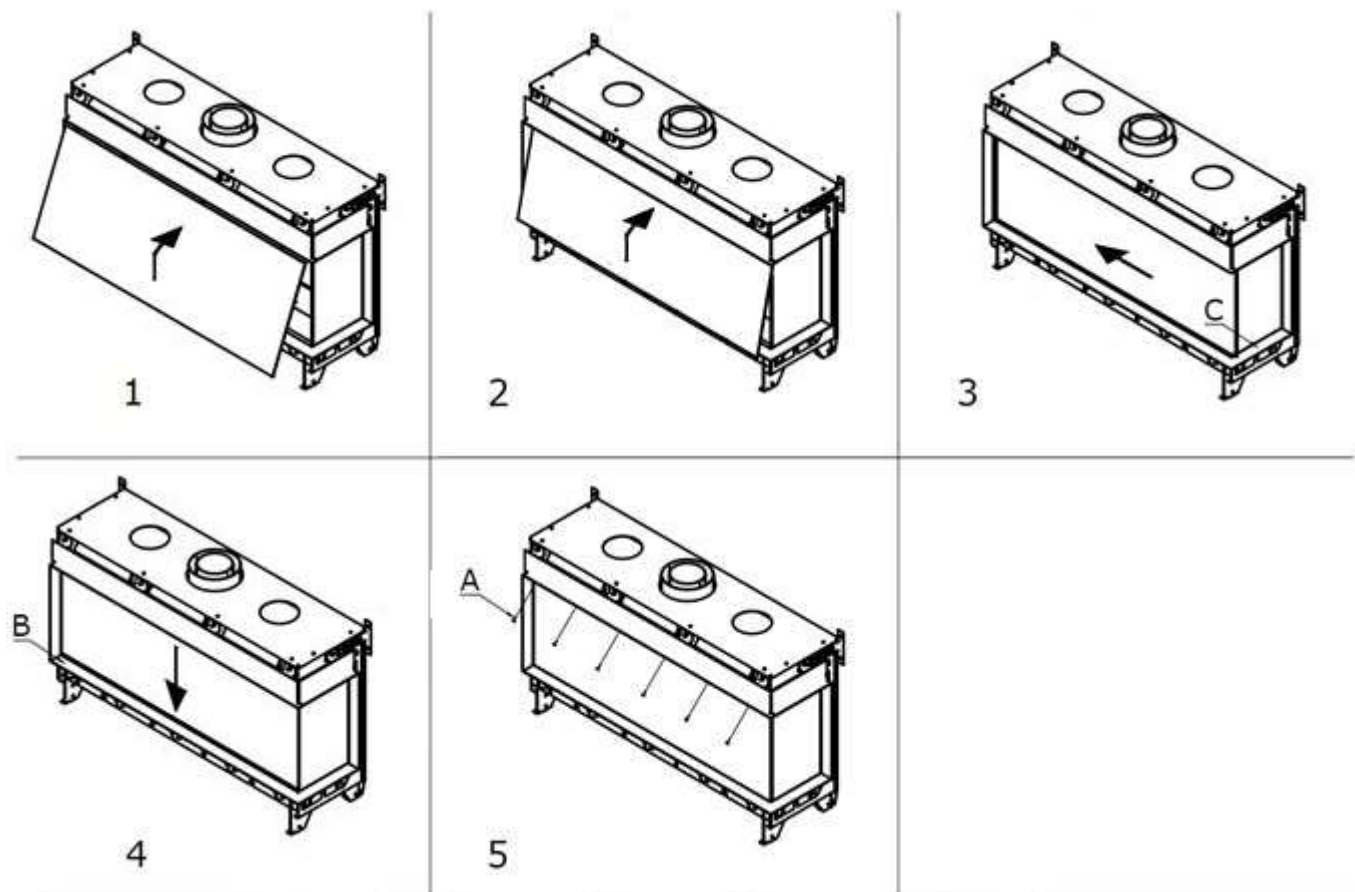
- Make sure the glass is clean, free from persistent dirt and fingerprints.
- Carefully mount the suction cup in the middle of the glass.
- Holding the glass at angle, insert its upper edge between the body of the fireplace and the horizontal fixing strip (1).
- Slide the glass upwards so that its lower edge is above the lower decorative frame "D" (2).
- Push lower edge of the glass in the direction of the body of the fireplace so that the surface of the glass is in vertical position (3).
- Move the glass down and carefully set its bottom edge inside the horizontal handle.
- Even out horizontally position of the front glass relative to the side walls so that the side edges of the front glass comport with the vertical edges of the side walls.
- Move the horizontal strip fixing front glass "C" (4) to the right until it stops and tighten it with screws "B" (5).
- Make sure that the screws are not tightened too much, because it can then lead to their breakage or damage of the thread.
- Mount the side pressure strips "A" in the holes in the side frame and by pushing them down, lock in the vertical position (6).
- Remove the suction cup.



Picture 14 – Mounting of the front glass in the fireplace with front glazing

To mount the front glass in the devices with two glasses, you must:

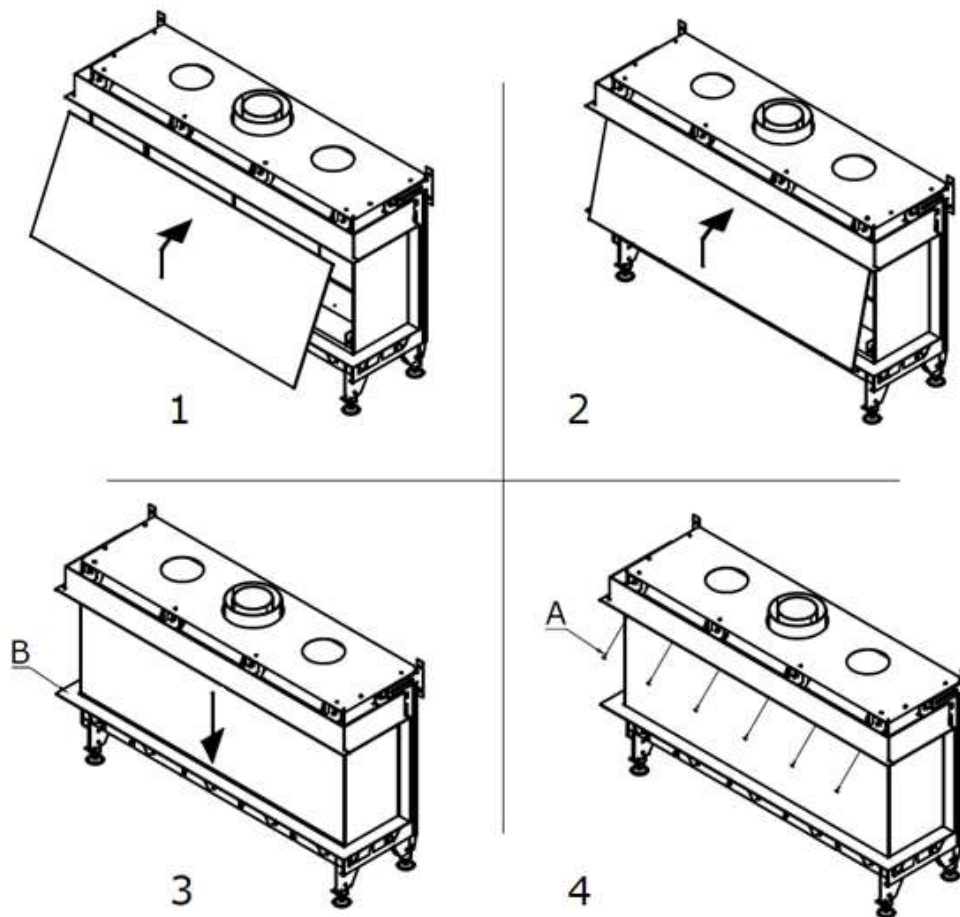
- Make sure the glass pane is clean, free from persistent dirt and fingerprints.
- Carefully mount the suction cup in the middle of the glass.
- Holding the glass at angle, insert its upper edge between the body of the fireplace and the horizontal fixing strip (1).
- Slide the glass upwards so that its lower edge is above the decorative frame "B" (2).
- Push lower edge of the glass in the direction of the body of the fireplace so that the surface of the glass is in vertical position.
- Holding the glass at all times above the decorative frame „B”, move the glass carefully to the left until it stops (or to the right depending on the glazing version) (3).
- Move the glass down and carefully set its bottom edge inside the horizontal handle (4).
- Even out horizontally position of the front glass relative to the side walls so that the side edges of the front glass comport with the vertical edges of the side walls.
- Move the horizontal strip fixing the front glass to the right until it stops and tighten it with screws "A" (5).
- Make sure that the screws are not tightened too much, because it can then lead to their breakage or damage of the thread.
- Remove the suction cup.



Picture 15 - Mounting of the front glass in the fireplace with two glasses

To mount the front glass in the devices with three glasses, you must:

- Make sure the glass is clean, free from persistent dirt and fingerprints.
- Carefully mount the suction cup in the middle of the glass.
- Holding the glass at angle, insert its upper edge between the body of the fireplace and the horizontal fixing strip (1).
- Slide the glass upwards so that its lower edge is placed above the lower decorative frame "B" (2).
- Push lower edge of the glass in the direction of the body of the fireplace so that the surface of the glass is in vertical position.
- Move the glass down and carefully set its bottom edge inside the horizontal handle (3).
- Even out horizontally position of the front glass relative to the side walls so that the side edges of the front glass comport with the vertical edges of the side walls.
- Move the horizontal strip fixing the front glass to the right until it stops and tighten it with screws "A" (4).
- Make sure that the screws are not tightened too much, because it can then lead to their breakage or damage of the thread.
- Remove the suction cup.



Picture 16 – Mounting of the front glass in the fireplace with three glasses

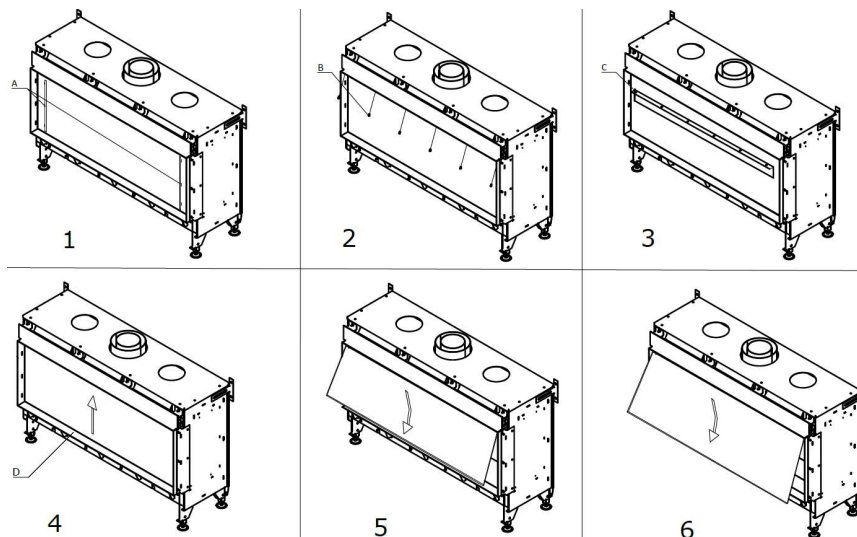
5.12.2. Dissassembly of the glass

To disassemble the front glass of the device, you should follow the above procedure in reverse order, appropriate for the version of glazing.

If the device is a version equipped with side ceramic glass panes, they are not subject to removal during normal use or during the installation of the device.

To remove the front glass of the device with the front glazing should:

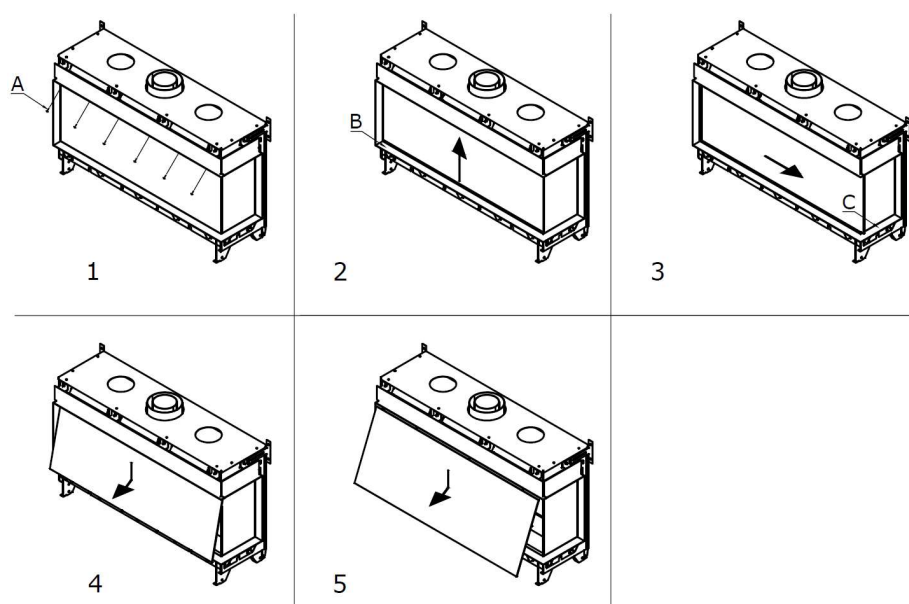
- Make sure the device is turned off, and the glasses are cooled down to room temperature.
- Carefully mount the suction cup in the middle of the glass.
- Remove the side pressure stripes „A” by lifting them up and moving them towards the center of the front glass (1).
- Unscrew the screws "B" pressing a horizontal strip "C" by holding the front glass (2).
- Move the pressure strip to the left and then move down to dismantle it (3).
- Lift the front glass vertically to the top so that its bottom edge is above the decorative frame "D" (4).
- Drag the lower part of the front glass to each other so that its lower edge is beyond the contour of the housing and decorative frame of the device (5).
- Then by making a move down and then towards yourself, you should pull out the front glass and put it in a safe place on a flat surface (6).
- Remove the suction cup.



Picture 17 – Disassembly of the front glass in a fireplace with front glazing

To remove the front glass of the device with two glasses, you should:

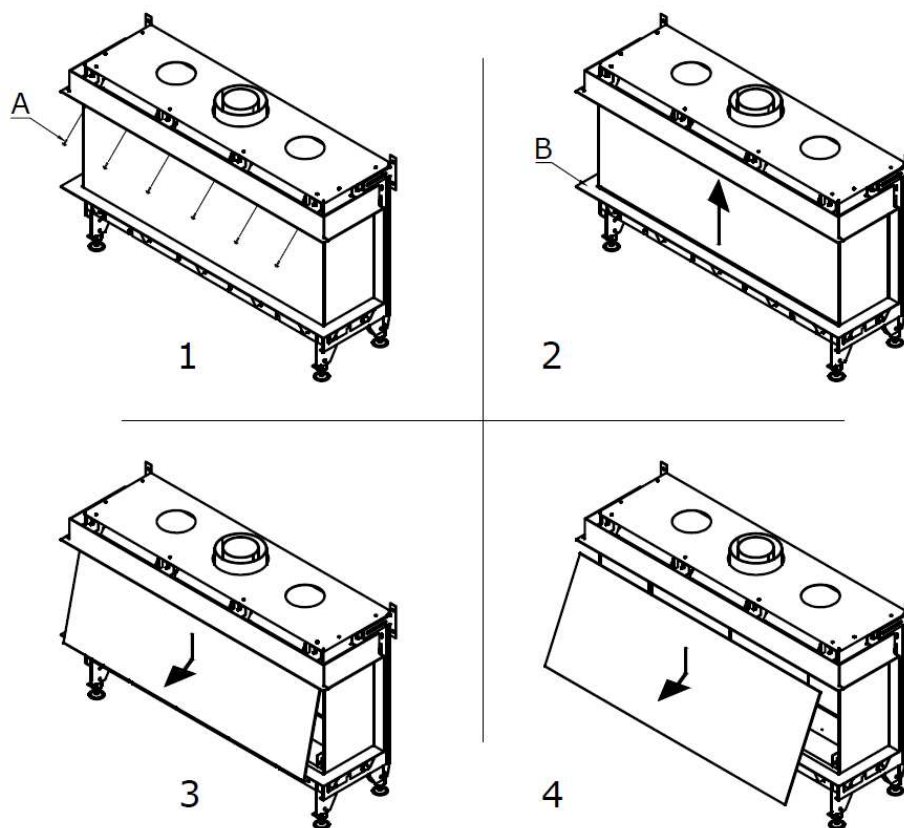
- Make sure the device is turned off, and the glasses are cooled down to room temperature.
- Carefully mount the suction cup in the middle of the glass.
- Unscrew the screws "A" pressing a horizontal strip, holding the front glass (1).
- Move the pressure strip to the left and then move down to dismantle it.
- Lift the front glass pane vertically to the top so that its bottom edge is above the decorative frame "B" (2).
- Holding the glass at all times above the decorative frame "B" move carefully the glass, making sure that its right edge does not hit the decorative frame "C" (3).
- Drag the lower part of the front glass to each other so that its lower edge is beyond the contour of the housing and decorative frame of the device (4).
- Then by making a move down and then towards yourself, you should pull out the front glass and put it in a safe place on a flat surface (5).
- Remove the suction cup.



Picture 18 – Disassembly of the front glass in the fireplace with two glasses

To remove the front glass of the device with three glasses, you should:

- Make sure the device is turned off, and the glasses are cooled down to room temperature.
- Carefully mount the suction cup in the middle of the glass.
- Unscrew the screws "A" pressing a horizontal strip, holding the front glass (1).
- Move the pressure strip to the left and then move down to dismantle it.
- Lift the front glass vertically to the top so that its bottom edge is above the decorative frame "B" (2).
- Drag the lower part of the front glass to each other so that its lower edge is beyond the contour of the housing and decorative frame of the device (3).
- Then by making a move down and then towards yourself, you should pull out the front glass and put it in a safe place on a flat surface (4).
- Remove the suction cup.



Picture 19 – Disassembly of the front glass in a fireplace with three glasses

6. CONTROL

The unit is supplied with remote control for the user (Picture 20 "B"), which controls the receiver and allows you to turn on and off the fireplace, and to adjust the height of the flame. Control method using the remote control as well as a description of the device is described in the User Manual. Optionally, orange remote control for the installer can also be supplied (Picture 20 "O").

The remote control receiver is installed in the inspection hatch next to the gas assembly. Exposure of the system's electronic to temperatures exceeding 60 ° C will result in irreversible damage. The maximum distance

between the inspection hatch and the device is determined by the length of flexible gas hoses and wires connecting the controller with the electrodes of the hearth. Do not extend the cables supplied with the unit, as this may affect the malfunction of the control system. Keep in mind not to put the ignition wire too close to metal parts. Elements of the system cannot be exposed to moisture, dust, and the factors affecting the formation of corrosion. If you need to replace the individual system components, use only original parts available for purchase from the Manufacturer. Plugs of the individual wires are chosen in such way, as to prevent incorrect connection components.

6.1. Remote controls

6.1.1. Remote control for the user.

To prepare remote control to use, follow these steps:

- Place the two batteries (AA) attached to the device inside the remote control.
- Make sure that the device is not turned off for more than 5 minutes.
- When you first start the device (or if the power supply was switched off for more than 5 minutes), you must configure the connection of the remote control with the device.
- If the remote control is not in the mode of establishing the connection to "BND", follow these steps:
 - Press the menu button (the button with a square symbol) on the remote control for at least 10 seconds and then press it several times until "BND" inscription with symbol of reception appears on the screen.
 - Press briefly and simultaneously buttons "arrow up" and "down arrow" so the blinking warning triangle and hourglass also appear on the screen.
 - Startup screen display means the end of the login process and configured remote control which is now ready to work with a fireplace.

WARNING! All functions are explained in detail with supplied User Manual.

6.1.2. Orange remote control for the installer

When using optionally supplied orange remote control, you can read all the information stored in the receiver. In this way, you can recover last 20 error messages, and also it is possible to read the number of error occurrences. This remote control is also used to adjust the basic settings and to read off the ionization current flow. It is also required for configuration of wired home automation system connection.

6.2. Alternative ways of control

Except using the remote control, there are also alternative ways to control the device. The fireplace is suitable for connection to a home automation system that can connect to the receiver. This may be a wired or wireless connection.



Planika fireplaces can be (after purchasing an additional Ethernet Bridge module) controlled by Planika Control application available for free download for mobile devices with Android (Google Play) and iOS (iTunes). The installation instructions are supplied with the Ethernet Bridge module. Instructions for use of the Application are included in the Application itself in the Help menu.



6.2.1. Wired connection

Wired connection of the home automation system with the receiver can be set up by using DC 0-3 VDC input (Picture 2 "D"). **WARNING!** Voltage above 3V causes damage to the receiver and therefore it is not allowed.

In case of home automation systems with output voltage of 0-10 V voltage should be reduced to the level of 0-3 V DC. To do this, use a voltage switchgear made of resistors (e.g., 2200 ohms and 680 ohms). Voltage above resistance of 680 ohms may be used at the output 0-3 V DC. Use a low impedance resistors.

By controlling the voltage level the receiver will be able to calculate the position and height of the flame. Table "B1" shows the relationship between the voltage and the height of the flame. For devices with 2 burners, table "B2" applies. It shows the relationship between voltage, the height of the flame and the number of burners.

B1			
B	V		
1	0,00 VDC	0%	I
1	0,08 VDC	3%	I
1	0,16 VDC	6%	I
1	0,23 VDC	9%	I
1	0,30 VDC	13%	I
1	0,37 VDC	16%	I
1	0,43 VDC	19%	I
1	0,49 VDC	22%	I
1	0,55 VDC	25%	I
1	0,61 VDC	28%	I
1	0,66 VDC	31%	I
1	0,71 VDC	34%	I
1	0,76 VDC	38%	I
1	0,81 VDC	41%	I
1	0,86 VDC	44%	I
1	0,90 VDC	47%	I
1	0,94 VDC	50%	I
1	0,98 VDC	53%	I
1	1,02 VDC	56%	I
1	1,06 VDC	59%	I
1	1,10 VDC	63%	I
1	1,14 VDC	66%	I
1	1,17 VDC	69%	I
1	1,20 VDC	72%	I
1	1,24 VDC	75%	I

B2			
B	V		
1	0,00 VDC	0%	I
1	0,08 VDC	6%	I
1	0,16 VDC	13%	I
1	0,23 VDC	19%	I
1	0,30 VDC	25%	I
1	0,37 VDC	31%	I
1	0,43 VDC	38%	I
1	0,49 VDC	44%	I
1	0,55 VDC	50%	I
1	0,61 VDC	56%	I
1	0,66 VDC	63%	I
1	0,71 VDC	69%	I
1	0,76 VDC	75%	I
1	0,81 VDC	81%	I
1	0,86 VDC	88%	I
1	0,90 VDC	94%	I
1	0,94 VDC	100%	I
2	0,98 VDC	6%	I
2	1,02 VDC	13%	I
2	1,06 VDC	19%	I
2	1,10 VDC	25%	I
2	1,14 VDC	31%	I
2	1,17 VDC	38%	I
2	1,20 VDC	44%	I
2	1,24 VDC	50%	I

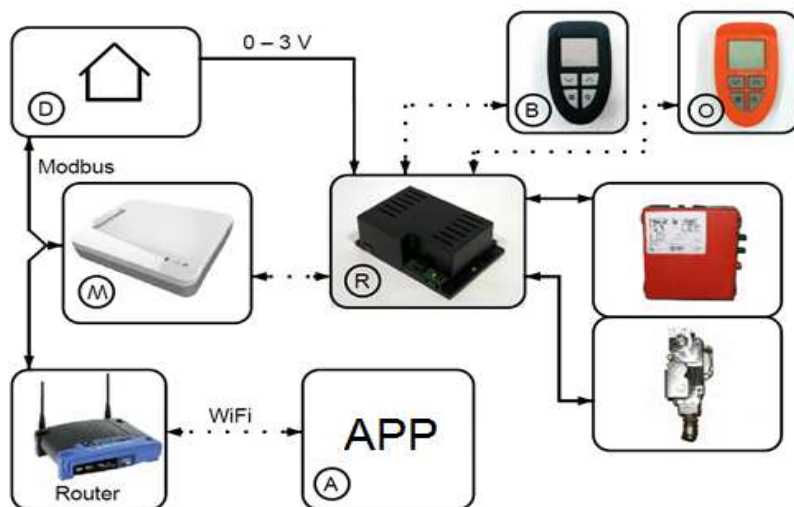
1	1,27 VDC	78%	I	2	1,27 VDC	56%	I
1	1,30 VDC	81%	I	2	1,30 VDC	63%	I
1	1,33 VDC	84%	I	2	1,33 VDC	69%	I
1	1,36 VDC	88%	I	2	1,36 VDC	75%	I
1	1,39 VDC	91%	I	2	1,39 VDC	81%	I
1	1,41 VDC	94%	I	2	1,41 VDC	88%	I
1	1,44 VDC	97%	I	2	1,44 VDC	94%	I
1	1,47 VDC	100%	I	2	1,47 VDC	100%	I
	1,98 VDC	Off >	O		1,98 VDC	Off >	O
	2,00 VDC		O		2,00 VDC		O

When connecting home automation system to the receiver, proceed as follows:

- Connect the signal 0-3 V DC to the connector, which the black and yellow wire is connected to (Picture 2 "D").
- **Warning!** The yellow wire is "+" and the black is "-". Always connect "-" to "-" and "+" to "+".
- Use the orange remote control to select wired connection. To do this, go to the position 8 in the first menu and select the device with one burner (option 2) or a device with two burners (option 3). In order to familiarize yourself with additional configuration options, please read the instructions that came with the optional orange remote control. By default, the device is configured to use 2 burners (middle and side sections).

6.2.2. The wireless connection through the protocol "Modbus"

Wireless connection of home automation system with the receiver can be established via compatible protocol "Modbus". This type of connection can be established only by using the communication module (Picture 20 "M"). This module can be ordered from Planika. This module converts the communication protocol "Modbus" from home automation system for the wireless signal to the receiver.



Picture 20 - Schematic diagram of the electronics

If you connect home automation system to the receiver using a communication module, do the following:

- Using the remote control, check whether the place where you want to place a communications module is within range of the receiver.
- Place the remote control in the right place and test the sensitivity of the received signal (RSSI). To do this, simultaneously press the On/Off button and the arrow down button. The displayed value must be between -20 to -80 (see. User Manual "Quality of Signal"). If necessary, place the remote control closer to the device in order to improve reception.
- Connect the communication module using the RJ45 plug to the router in accordance with the instructions contained in the manual supplied with this module.
- Then follow the steps described in the manual protocol "Modbus". This instruction can be obtained from the supplier of home automation system.

7. FINAL INSPECTION

To check whether the device is working properly and safely, before it is put into operation, perform the following checks.

7.1. Gas tightness

All connections must be tight. Check the connections for gas tightness. The gas control block can be subjected to a maximum pressure of 50 mbar.

7.2. Gas Pressure

Burner's pressure shown on the nameplate of the device, is set at the factory and under no circumstances can be changed.

WARNING! You should check the pressure in the home installations, because it may be incorrect. In addition, check the pressure in the gas block system. The location of the measuring nipple (**P_{in}**) over the gas assembly shows the picture below. If the pressure is not correct (too high or too low), please contact the gas supplier. Also, check the output pressure of the gas by connecting the measuring device to the measuring nipple and compare them with output pressure of the burner written on the nameplate of the device. To connect the measuring device, unscrew the screw on the test nipple (9 mm) by half a turn and connect the hose.



Photo 3 - Nozzles measuring gas pressure

7.3. Ignition of the main burner

Information about the ignition of the main burner can be found in the Manual.

7.3.1. First ignition of the device after installation or after modifications

WARNING! After installation of the device or after service work you should light up the device for the first time without inserting the front glass. If necessary, drain the gas pipe.

Follow the procedure below:

- If necessary, remove the glass.
- You should start the ignition as described in the Manual..
- If the main burner does not light up:
 - Reset the system by pressing the remote control buttons simultaneously "arrow up" and "down arrow".
 - Repeat the ignition until the main burner lights up.

WARNING! After each failed attempt ignition system must be reset.

- If after several attempts the burner still does not light, refer to the table of error messages (see. Chapter Troubleshooting).
- In the first place middle section of the device will be lit for 100% of its power, and when it detects the ionization, device goes on 50% of its power. The detection must take place within 10 seconds. Otherwise, the device goes into failure mode. After about one minute from the start of the middle section, the second valve supplying gas to the side section of the hearth turns on, and the unit returns to its full capacity. You can hear then the characteristic "click".
- Make sure that the hearth is burning all the time.
- If the hearth is not burning all the time, reset the system as described and repeat the ignition procedure until the furnace will burn continuously.

WARNING! The system can be reset to re-ignition only three times in a row. Then the system will be permanently blocked and you have to wait half an hour before another ignition attempt.

- Please refer to the table of error messages, if this does not happen after a few attempts.
- Disconnect the device from the power supply.
- Then mount the glass as described in section 5.12.1.
- Repeat the ignition procedure several times and perform the checks described in section 7.3.2.
- Since then, the hearth should light up without problems.

WARNING! Always wait 3 minutes before retrying ignition of the device. You cannot make any modifications to the gas assembly.

7.3.2. The Hearth

- Ignition electrode should light the central hearth within few seconds and without explosively.
- Flame in the middle hearth must smoothly and without the explosively pass through the burner and must burn continuously.
- The side sections of the hearth should fire off immediately after the activation of the second valve, and the transfer of the flame on the side sections must be smooth and without explosively.
- If there is no ignition of the device after three restarts, the permanent lock the device is activated and it may be impossible to reset by disconnecting the power supply. If you still need to restart, remove the glass and make sure that nothing is blocking the free flow of gas to the burner. Then, the device can be disconnected from the power source for 10 seconds. After these 10 seconds the power supply can be reconnected. It should light up the device in the same way as in the case of the first ignition, according to the information contained in Section 7.3.1.
- Check the operation of the burner from a cold state.
- If the sparks are detected between the electrodes, the central hearth should ignite within a few seconds.
- The image of the flame and the correct transfer of the flame to the side sections of the burner can be evaluated properly only when the front glass is mounted.
- If the ignition of the main burner does not correspond to the above requirements, refer to the table of error messages to determine the cause.

7.4. Flame

WARNING!!! The image of the flame depends on the type of gas used. Different types of propane and butane gas mixtures, as well as various types of natural gas, can cause a change of the color and appearance of the flame, smoke or even soot effect on the decorative elements (ceramic logs and pebbles).

An image of the flame can be effectively evaluated after the first few hours of use. The image of the flame is affected by the volatile components of paint, materials, etc., which evaporate during the first hours of the fireplace use.

- Make sure that the image of the flame on the hearth is correct.
- If the image of the flame is not acceptable, use the table of error messages to solve the problem.

7.5. Checklist

	Range	Actions
1	General inspection	<ul style="list-style-type: none"> • Carry out the procedure in firing up the fireplace • Check the operation of all safety systems. • Check if the flame of the main burner burns steadily • Check if the main burner is burning evenly • Check the correct operation of all modes of the remote control.
2	Glass Control	<ul style="list-style-type: none"> • Make sure that the glass has no cracks. • Make sure the glass fits tight to the body of the fireplace. • Check the wear of the seals. If necessary, replace the seal. • Check the degree of contamination of the glass. Clean the glass if necessary.
3	Inspection hatch control	<ul style="list-style-type: none"> • Check the tightness of the gas connections • Check if the inspection hatch has adequate ventilation • Check whether the connection between the controller and the receiver is not damaged. • Check whether the gas control system components are not exposed to high temperatures • Check if the inspection hatch is not exposed to moisture. • Check if the connecting cables show no signs of corrosion.
4	Combustion chamber control	<ul style="list-style-type: none"> • Check whether the ignition electrode is not obstructed by decorative elements • Check if the ionization electrode is within the range of the main burner flame • Check whether the combustion chamber does not require cleaning. • Check if the spaces supplying air from the flue pipe system to the combustion chamber are not obstructed. If necessary unblock those spaces. • Check whether the combustion chamber has no signs of corrosion. If necessary, remove corrosion and cover the losses with a new coat of fireplace paint. • Check if the main burner ignites smoothly.
5	Flue Control	<ul style="list-style-type: none"> • Check the tightness of the concentric flue system • Check the patency of the concentric flue system.
6	Monitor of the control devices	<ul style="list-style-type: none"> • Make sure the receiver is not damaged. • Check if the circuits has no breakthrough • Make sure the power supply cable is not damaged • Check that the components of the control system are not exposed to overheating.
7	Housing control	<ul style="list-style-type: none"> • Make sure the casing of the gas insert has no cracks • Check whether the combustible elements are at a safe distance from the casing of the fireplace.
8	Decorative elements	<ul style="list-style-type: none"> • Check that the decorative elements do not require cleaning • Check that the decorative elements are not in contact with the glass • Check if the decorative elements are not damaged.

8. MAINTENANCE

To make sure that the device operates properly and safely, it should be inspected and cleaned once a year and if necessary repaired by a qualified technician who specializes in the field of gas heating and electrical systems. During maintenance work, close the gas valve and make sure that the device is not energized, and after the review/repair, check the gas tightness of the entire system.

During the audit work, you should also clean all the glass of the device. To do this you have to:

- Remove the front glass as described in section 5.12.
- Avoid leaving fingerprints and remove them from the surface of the glass, because they burn out permanently on the glass.
- Clean the glasses according to the recommendations contained in the User Manual.
- Remove the white layer which is formed after the first period of use.
- Replace damaged and/or broken glasses as described in section 5.12.

Warning!!! Glasses should be cleaned only when they are at room temperature

8.1. Spare parts

Use only original spare parts, which are available from the supplier.

9. DELIVERY

After successful installation of the device, the installer is obliged to explain to the user how to operate the device and give him instructions how to start the device, security measures, use of the remote control and annual maintenance.

Additionally, the installer must provide the user with the following information and instructions:

- In case of perceived irregularities in the operation of the device, immediately close the gas valve and contact your installer in order to avoid dangerous situations.
- Indicate the user to the location of the gas valve.
- Pay attention to the preventive measures listed in the User Manual which protect against inadvertent ignition by other wireless remote controls, such as car keys and remote controls for garage doors.
- Pay attention to the fact that the device is connected to 230 V.
- Instruct the user on the device and use the remote control.
- Issue the user with manual and assembly instructions and advised that all instructions must be kept near the unit.
- Tell the User that is required to read the Safety Instructions contained in the Manual and that all instructions must be stored for the lifetime of the device.
- When the device is put into operation, it must be pointed out that:

- When the unit is lit for the first time, it comes to the evaporation of volatile components from paint, materials, etc. and during the volatilization of these substances, the device should work with the highest heat load.
- The room should be well ventilated.

10. WARRANTY

Planika Sp. z o.o. grants the Client guarantee of quality for the smooth operation of the goods specified on the sales document. The warranty is determined for a given period from the date of purchase (based on the warranty card together with the receipt of purchase). The warranty period starts at the moment of purchase of the original product by the first end user. Product may consist of several separate parts and different parts may be covered by a different warranty periods. The manufacturer gives 2 year warranty from date of purchase an insert for its smooth operation. Fireplace sealing is covered by warranty for a period of 1 year from date of purchase of the device. Guarantee does not cover: decorative insulation panels, decorative ceramic logs and glass. The use of the fireplace insert, way of connecting to the chimney and operating conditions must be in accordance with the user manual. The basis for the free repair covered by warranty is a warranty card. Warranty Card will expire without a date, stamps, signatures, as well as the amendments made by unauthorized persons. Customer entitlement under the guarantee will expire automatically: after the warranty period. Any damages caused by improper handling, storage, of poor maintenance, incompatible with the conditions laid down in the manual and due to other reasons not due to the fault of the manufacturer, will void the warranty. In the event of a complaint, always contact your dealer. Supplier will contact the company Planika, if it deems it necessary. Factory Warranty is valid for 2 years from the date of purchase. Details of the warranty are available on the <http://www.warranty.planikafires.com/>

11. TROUBLESHOOTING

Warning! Installation, repair and maintenance must be performed only by a trained engineer with the appropriate permissions, service company or gas supplier.

There are many factors that may affect the malfunction of the gas insert. To exclude a possible fault in the unit or the automatic gas control system, make sure that the fireplace is connected according to these instructions.

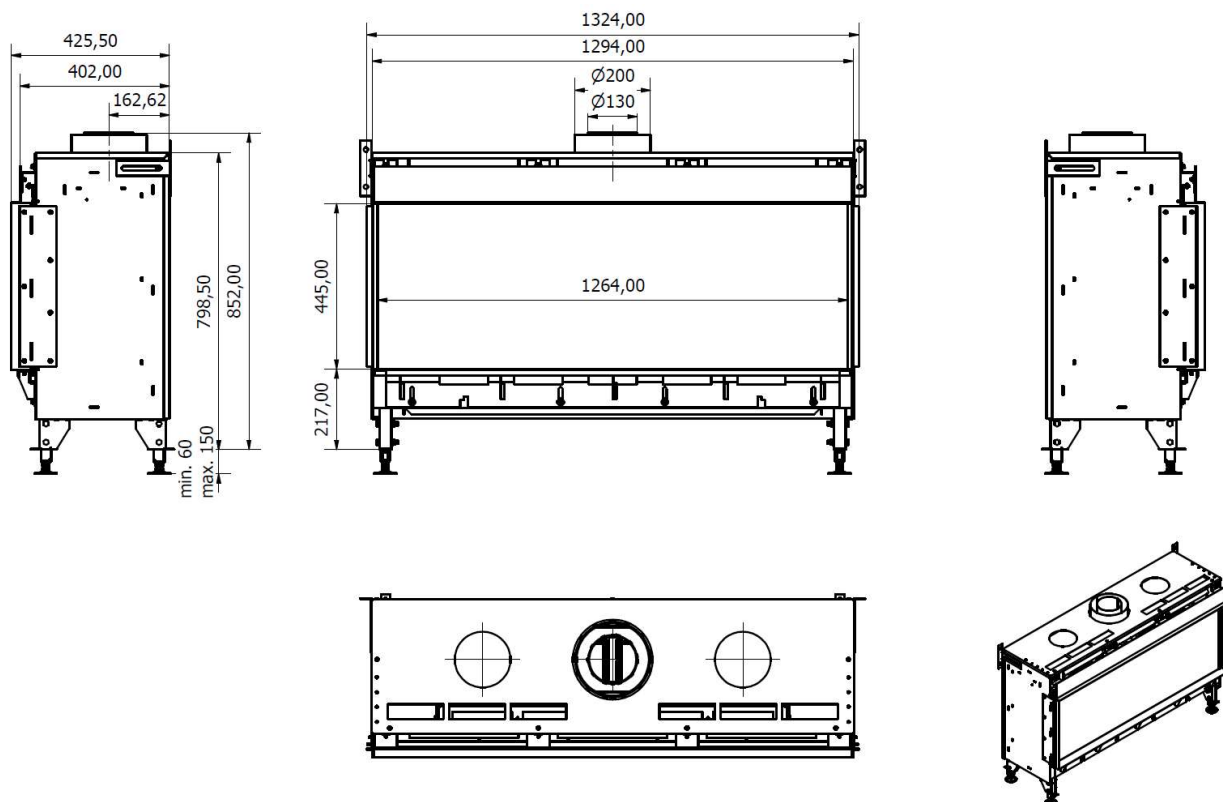
Below table summarizes possible failures that may occur, possible causes and ways to solve them.

ERROR CODE	FAULT	POSSIBLE CAUSE	REPAIR
	SMELL OF GAS	IMMEDIATELY CLOSE THE GAS VALVE ON THE GAS CONNECTION. DO NOT USE THE APPLIANCE UNTIL SPILLS ARE FULLY REMOVED	
F00	Flame not detected in time and the burner control doesn't report a failure.	F01, F07 or F08 appeared 3 times	Device blocked. Wait 30 minutes before trying again.
		No spark	Make sure that the distance between the electrodes is 3-4 mm
		No Gas	Make sure, there is a gas connection
F01	The lack of communication between the receiver and the automation controller	Communication cable does not make any contact	Make sure that the contacts of the communication cable ensure correct contact
		Damage to the communication cable	Replace the communication cable
F02	Overheating of the receiver (60 ° c above room temperature)	Poor ventilation by the receiver	Improve ventilation at the receiver
		The receiver is in contact with the hot parts	Move the receiver so that it does not touch the hot parts
F03	Internal NTC sensor(of the receiver) is not working properly	Damaged receiver	Replace Receiver
F04	External NTC sensor is not working properly	External NTC sensor or wiring are damaged	Replace the NTC sensor or wiring
F05	Internal security error	Damaged receiver	Replace Receiver
F06	Lack of communication between the transmitter and receiver	The transmitter is out of range of the receiver	Make sure that the transmitter is located near the receiver
		Any obstacles between the transmitter and the receiver may interfere with the signal	Remove any obstacles between the transmitter and receiver
		Power transmission is too weak	Check the power transmission (see. Instruction Manual Chapter 9)
F07	Flame not detected in time and the burner control doesn't report a failure.	No spark	Make sure that the distance between the electrodes is 3-4 mm
		No Gas	Make sure, there is a gas connection
F08	No ionisation / The burner control reports a failure and the flame could not be detected in time.	No spark	Make sure that the distance between the electrodes is 3-4 mm
			Replace the ignition electrodes

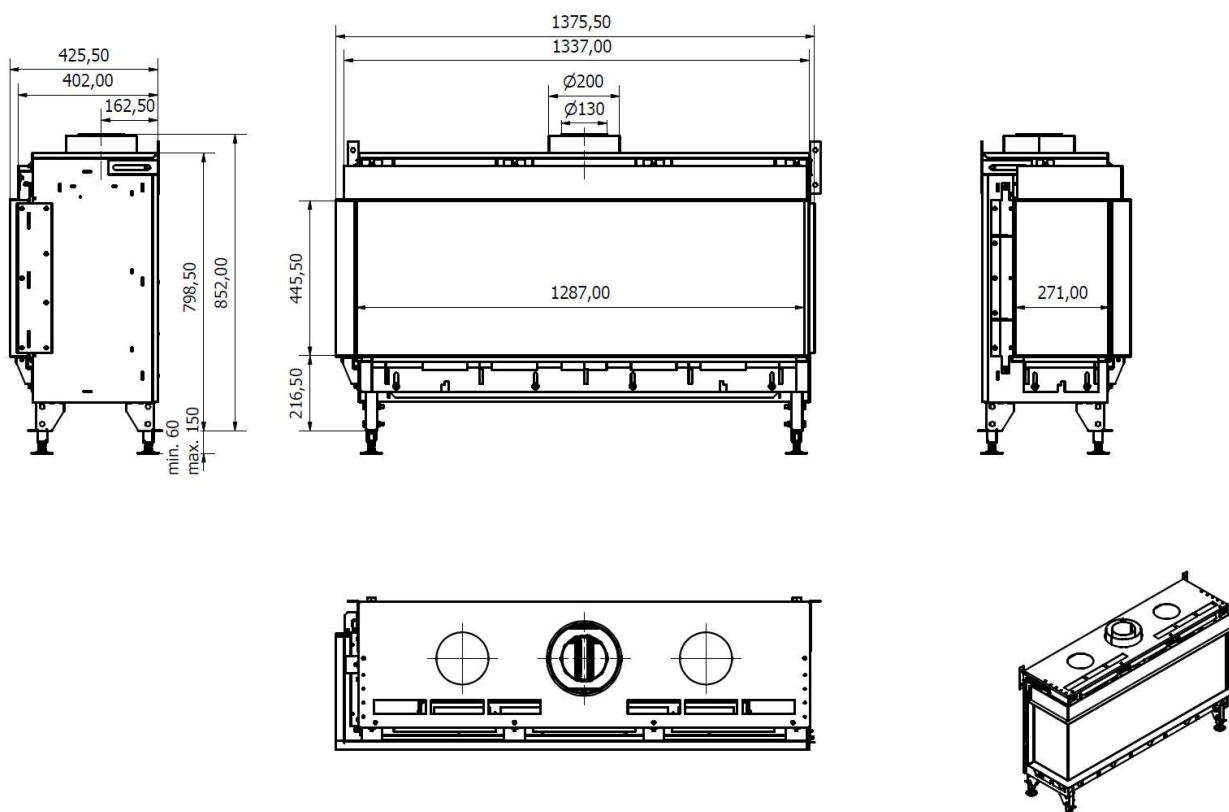
			Check if the cables for the ignition electrode are connected correctly
		No Gas	Make sure, there is a gas connection
		Poor transfer of the flame from the main burner	Check the position of the blocks of wood / debris
			If necessary, remove dust and dirt from the holes of the burner
		Extinguishing of the flame at the ionization electrode (braising or picking of the flame)	Check the tightness of the fireplace combustion chamber, proper adhesion of glass to each other on the edges, as well as correct position of the seals and downforce strip
			Check restrictor setting
		No good flame under ionization pin (suffocating flame)	Check position blocks/chips
		Ionisation electrode not inserted correctly	Place the electrode in the right place
		Blocked ionization electrode (measure ionization current flow, when > 0 and $< 1.8 \mu A$)	Remove any residue vermiculite or debris from the burner
		Faulty ionisation electrode (measure ionisation current if 0 electrode is damaged)	Replace the ionisation electrode
		Triggered shock sensor (shake)	Check the sensor connection. Check whether the construction of the fire housing has not been damaged (cracked)
F12	There has been no release of ESYS	ESYS under permanent blockade	Wait half an hour until ESYS resets itself
F13/F14	(ionisation $< 0.8 \mu A$) Flame loss when only the main burner (F13) is on or both burners (F14) are on	Too low gas pressure or no gas in the system	Check the gas supply
		Damage to the coil of the gas valve	Replace the coil of the gas valve
		Throttling flame	Check the patency of the combustion air system
		24 hour control	Reset using the remote control
		Ionisation pin short-circuited	Remove chips, vermiculite or glow material lying against the ionisation pin
		Ionisation current too critical ($0.8 \leq \text{ionisation} < 1.8 \mu A$)	Increase ionisation current to $\geq 1.8 \mu A$ by rearranging vermiculite, and removing chips and dust from the burner openings
F15	No automatic control ESYS	Loosening of the automation control	Fix the automatic control
		Not properly installed automatic control	Install properly automatic control
	High Limit error	Electrodes by the gas adjustment block connector are bent	Straighten them
		Damage to the bridge of the upper limit	Check the bridge of the upper limit ESYS
F16	Hardware failure ESYS	Damage ESYS (burner module)	Exchange ESYS (burner module)

12. TECHNICAL DRAWINGS

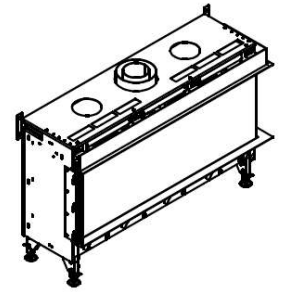
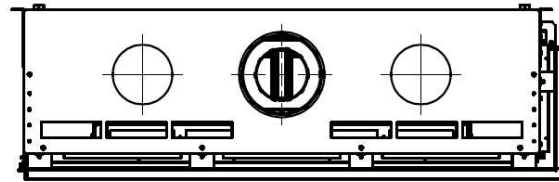
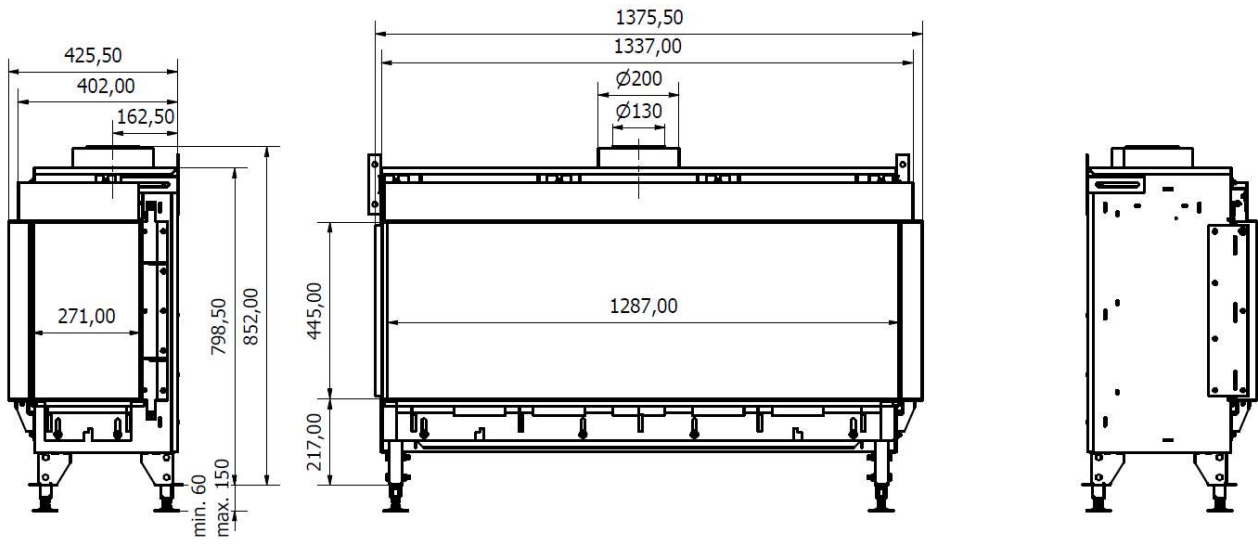
VALENTINO 1300 F



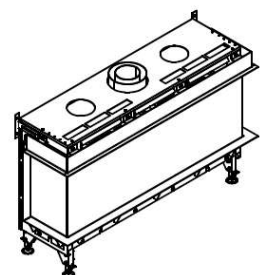
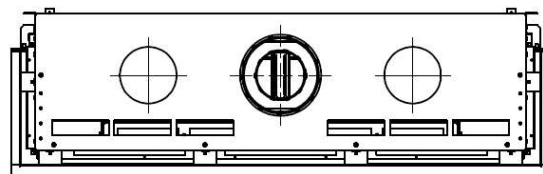
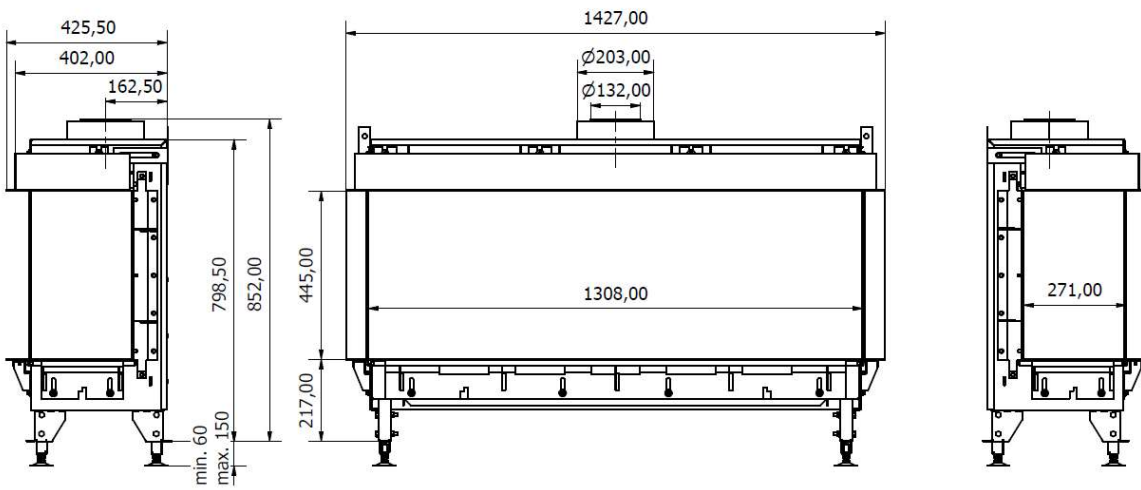
VALENTINO 1300 LF



VALENTINO 1300 FR



VALENTINO 1300 LFR



13. TECHNICAL SPECIFICATIONS

TECHNICAL SPECIFICATIONS							
Name of the product	VALENTINO 1000 F, VALENTINO 1000 LF, VALENTINO 1000 FR, VALENTINO 1000 LFR						
Type of the device	To be built-in						
Combustion	Closed combustion chamber						
Supply and discharge system	Concentric Flue System 200/130						
Flame protection version	Separate ignition and ionization electrodes						
The safety valves for the purpose of pressure compensation	Yes						
Circulation hole in the fireplace wall	300 cm ²						
Type of the device	C11/C31/C91						
Appliance category	I2E(20), I2H(20)	I2L(25)	I2E+(20/25)	I3P(30) I3P(37) I3P(50)	I3B/P(30) I3B/P(37) I3B/P(50)	I3+(30/37)	
Reference Gas	G20	G25	G20/G25	G31	G30	G30/G31	
Nominal heat input (Hi)	kW	8,5			8,9		
Consumption on max output	m ³ /h	0,9			-		
Consumption on low output	m ³ /h	0,25 (*)			-		
Consumption on max output	kg/h	-			0,7		
Consumption on low output	kg/h	-			0,20 (*)		
Maximum burner pressure	mbar	14,0	21,0	18,5	27	27	26
Minimum burner pressure	mbar	5,5	5,5	5,5	9	9	9
Nozzle of the main burner	mm	1x Ø1,75	1x Ø1,75	1x Ø1,5	1x Ø1,1	1x Ø1,1	1x Ø1,05
Nozzles of the side burner	mm	2x Ø1,2	2x Ø1,2	2x Ø1,1	2x Ø0,8	2x Ø0,8	2x Ø0,75
Efficiency class		Class 2	Class 2	Class 2	Class 2	Class 2	Class 2
* - on minimal output, only the middle section switched on							

14. CONTACT DETAILS OF THE MANUFACTURER

Manufacturer: Planika Sp. z o.o.
Contact Details: Bydgoska 38 Street
 86-061 Brzoza
 Poland
Telephone: + 48 52 364 11 60
Fax: + 48 52 364 11 70

SELLER	
Name:	Seller's seal and signature
Address:	
Tel/fax:	
Date of sale:	
BUYER	
Name:	
Address:	
Tel/fax:	
Date of purchase:	
<p>The gas fireplace should be installed by a qualified Installer in accordance with the applicable national building regulations and in accordance with the guidelines contained in the Installation and User's Manuals.</p>	
<p>I hereby declare that having read the User's Manual and the Guarantee Conditions.</p>	
<p>Date and legible signature of the Buyer</p>	
INSTALLER	
Name:	
Address:	
Tel/fax:	
Date of commissioning:	
<p>I hereby declare that the gas fireplace installed by my Company has been installed in accordance with the applicable building regulations and in accordance with the guidelines contained in the Installation and User's Manuals. The installed gas fireplace is ready for safe operation.</p>	
<p>Installer's seal and signature</p>	

REGISTER OF APPLIANCE INSPECTIONS

REGISTER OF CONCENTRIC FLUE SYSTEM INSPECTIONS

Inspection during the fireplace installation	Date, signature and seal of the chimney sweeper
Date, signature and seal of the chimney sweeper	Date, signature and seal of the chimney sweeper
Date, signature and seal of the chimney sweeper	Date, signature and seal of the chimney sweeper
Date, signature and seal of the chimney sweeper	Date, signature and seal of the chimney sweeper
Date, signature and seal of the chimney sweeper	Date, signature and seal of the chimney sweeper